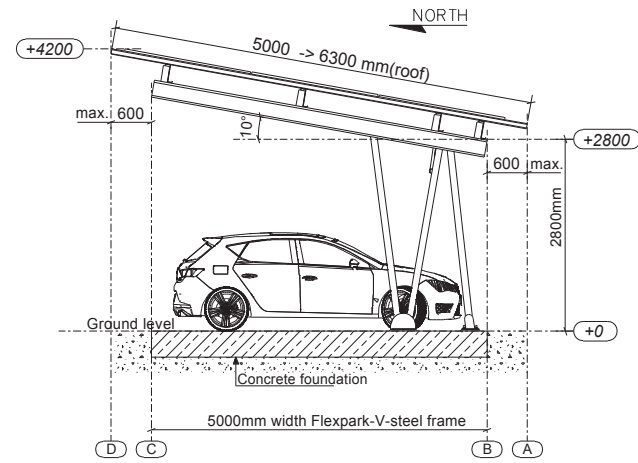


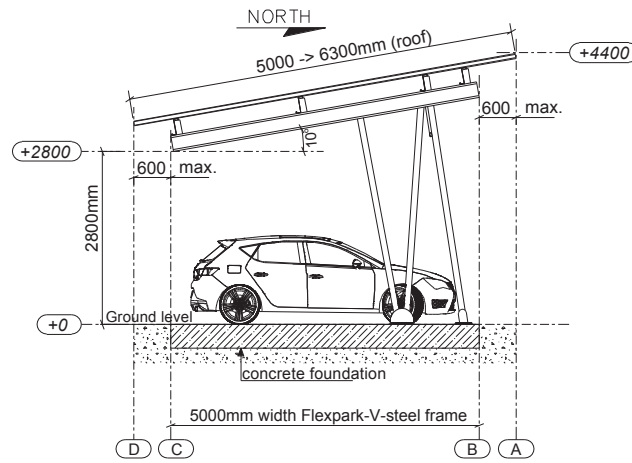
# FLEXPARK V: SECTION VIEWS

## SINGLE ROW OPTIONS

### SOUTH (S)

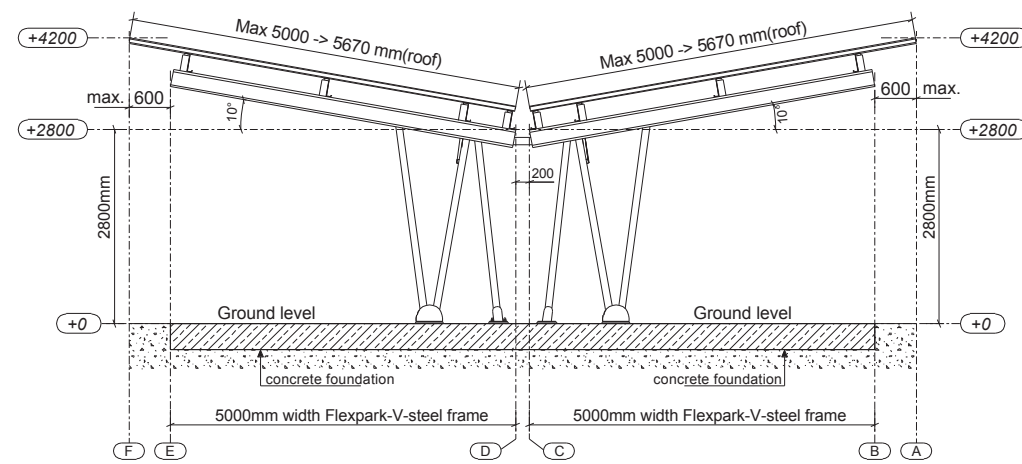


### NORTH (N)

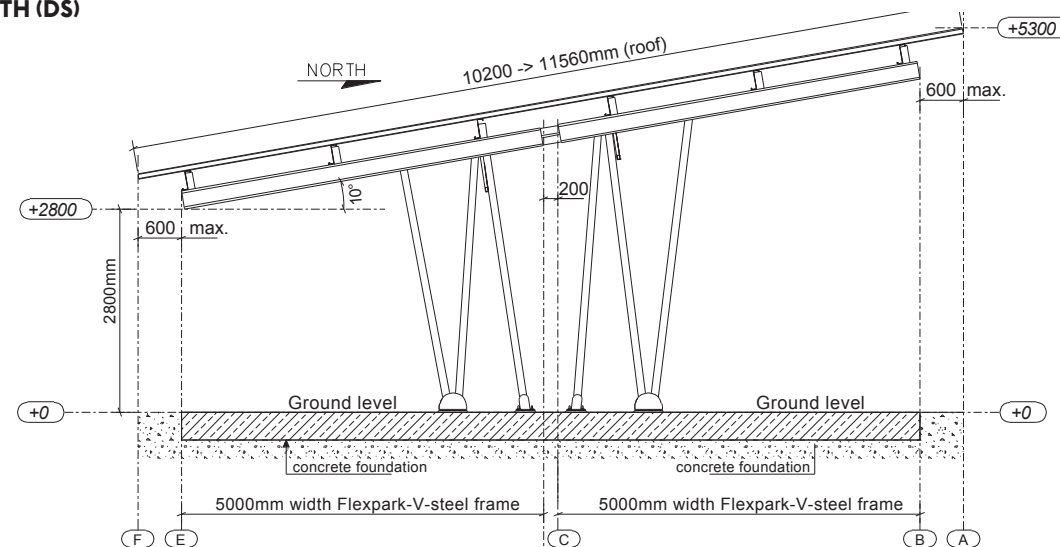


## DOUBLE ROW OPTIONS

### DUOPITCH (DP)



## DOUBLE SOUTH (DS)



All dimensions in mm

**Flexpark**

## Headquarters

**Belgium**  
 Bruggesteeweg 200  
 8830 Hoogdele-Gits, Belgium  
 T. +32 51/26 12 11  
 sadef.solar@voestalpine.com

## Representative offices

**The Netherlands**  
 W. Witsenplein 4  
 2596 BK Den Haag,  
 The Netherlands  
 T.+32 51/26 12 11  
 sadef.solar@voestalpine.com

**France**  
 2, Bd Albert 1er  
 94130 Nogent-s-Marne, France  
 T. +33 1/43 24 60 11  
 sadef.solar@voestalpine.com

**Germany**  
 Frans-Tilgner-Strasse 10  
 50354 Hürth, Germany  
 T. +49 22/33 20 11 48  
 sadef.solar@voestalpine.com



## FLEXPARK VARIABLE

MODULAR SOLAR CARPORT

**voestalpine**  
 ONE STEP AHEAD.

voestalpine SadeF nv  
 www.voestalpine.com/sadef

**voestalpine**  
 ONE STEP AHEAD.

# FLEXPARK V: TECHNICAL DETAILS

## FEATURES

- » Modular system
- » Car parking space width range : from 2.4 to 2.8m
- » Frame distance D: every 3 (or 2) car parking spaces
- » Height clearance H : 2.8m
- » Roof width W : 5.0m + optional overhang  $\leq$  0.6m
- » Universal for all solar PV module types (portrait or landscape orientation)

## BENEFITS

- » Easy access, no obstructive posts when opening doors
- » Quick, easy and efficient installation
- » Requisite car impact resistance of steel frame : EN 1991-1-7

## SCOPE OF DELIVERY BY VOESTALPINE SADEF

- » All frame components and mutual fixings
- » Assembly instructions and project specific technical support

## MATERIALS

- » High strength steel with ZM corrosion resistance
- » Connection parts and fasteners HDG corrosion resistance

## ROOF SYSTEM

- » Solar PV mounting system on rails (not included)
- » Solar PV on trapezoidal steel cladding (not included)

## WIDE APPLICABILITY

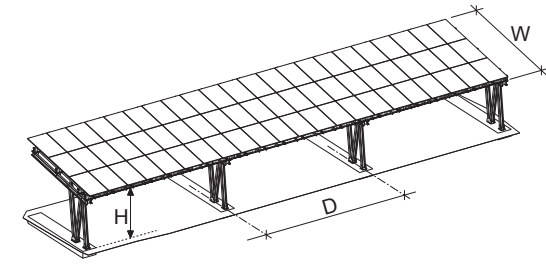
- » Contact us for a project specific wind and snow load check.

## TO BE CARRIED OUT/PROVIDED BY CUSTOMER

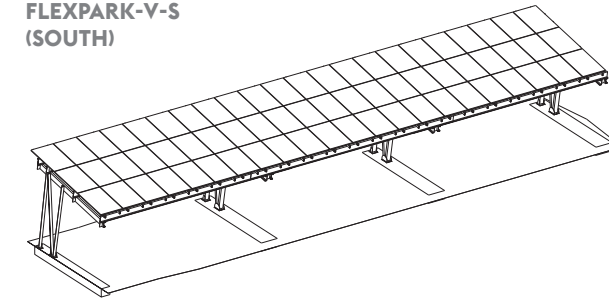
- » Confirmed solar panel layout
- » Confirmed cladding and finishing (PV module, solar mounting system)
- » Guttering, water flow and drainage management
- » Design and supply of foundations and anchors
- » Installation

## FOUNDATIONS

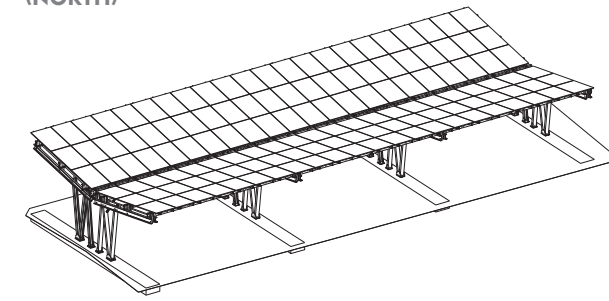
- » The type of foundation to use depends on the nature and quality of the soil :
- » Acting forces on foundations can be supplied by voestalpine SadeF on request
- » Project specific foundation design is the responsibility of the customer and his geotechnician.
- » voestalpine SadeF is not taking any responsibility on foundation design.



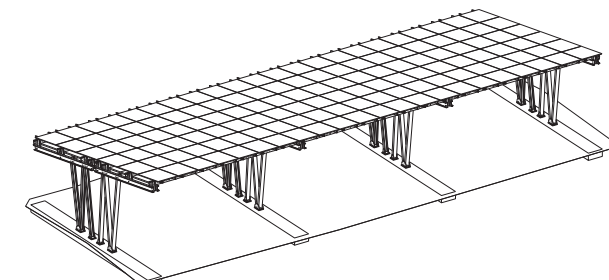
FLEXPARK-V-S  
(SOUTH)



FLEXPARK-V-N  
(NORTH)



FLEXPARK-V-DP  
(DUOPITCH)



FLEXPARK-V-DS  
(DOUBLE SOUTH)

