



Headquarters

BeNeLux
Bruggesteeweg 200
8830 Hooglede-Gits, Belgium
T. +32 51/26 12 11
sade@voestalpine.com

Representative offices

France
188 Grande rue Charles de Gaulle - CS 30001
94736 Nogent sur Marne Cedex
T. +33 1/43 24 60 11
batiment.sadef@voestalpine.com

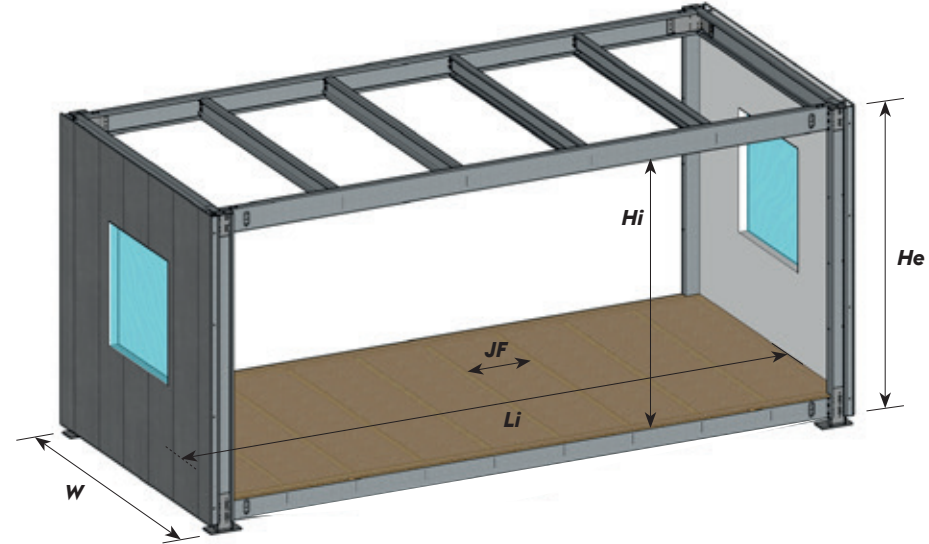
Germany
Frans-Tilgner-Strasse 10
50354 Hürth, Germany
T. +49 22/33 20 11 48
sade@voestalpine.com

Flexbuild®



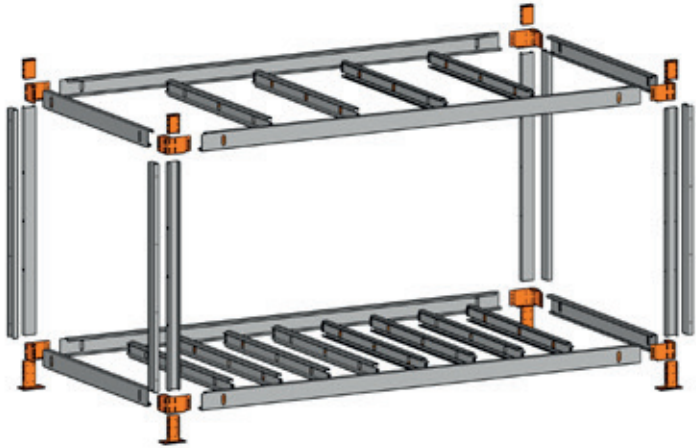
FLEXBUILD

BUILDING CONCEPT



	Standard	Custom	Custom+
Length <i>Li</i>	6380 mm	< 6380 mm	On request
Width <i>W</i>	3000 mm	2100 - 3500 mm	
Height <i>He</i>	3000 mm	2600 - 3300 mm	
Height <i>Hi</i>	2560 mm	He - 440 mm	
Joist distance <i>JF</i>	700 mm	400 - 1200 mm	

ONLY 7 DIFFERENT PARTS



ADVANTAGES AT EACH STAGE

- DESIGN**
 - » Economic concept, even for smaller series
 - » Wide spectrum of building applications
 - » Large freedom in layout of spaces
 - » Rigid construction, no bracings necessary
 - » Compatible with different types of finishing
 - » Static calculation according to the Eurocode
- PRODUCTION & DELIVERY**
 - » Integrated connections and holes for techniques
 - » Short delivery time, just in time
 - » All components are galvanized
 - » Export friendly
- CONSTRUCTION**
 - » Easy assembly
 - » Light weight components for high strength
 - » Prefabrication in workshop or on site
 - » Standard components and accessories
 - » Bolted connections, no welding
 - » Dry / clean building method
 - » Circular building system
 - » Easy to disassemble and movable

