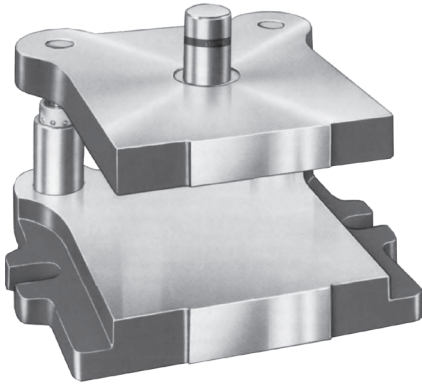
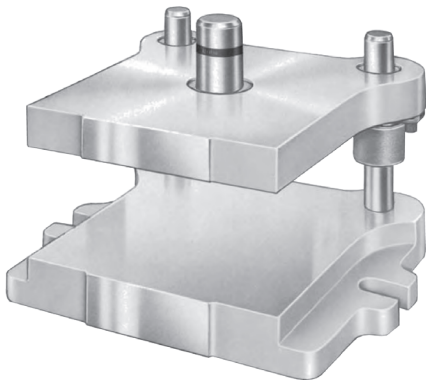


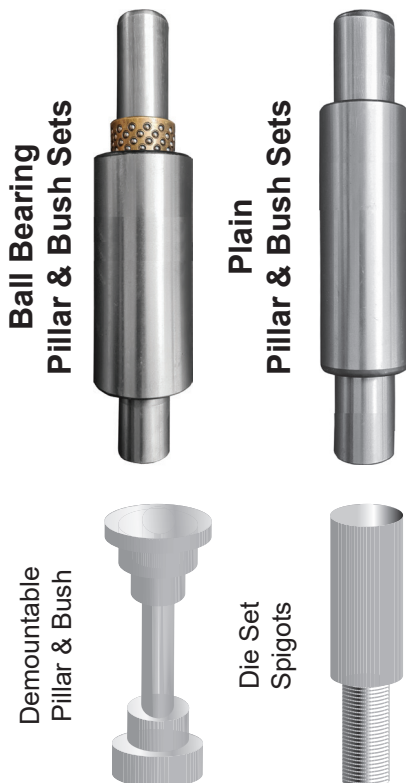
CATALOGUE 2021 DIE SETS & ACCESSORIES



Ball Bearing die sets



Plain Bearing die sets



Ball Bearing
Pillar & Bush Sets

Plain
Pillar & Bush Sets

Demountable
Pillar & Bush

Die Set
Spigots

BALL BEARING

	TYPE BBR	Back Pillar Rectangular	Standard	2
	TYPE BBLL	Back Pillar Long Rectangular	Standard	3

PLAIN BEARING DIE SETS

	TYPE RS TYPE RSHD	Back Pillar Rectangular	Standard Heavy Duty	4 5
	TYPE LRS TYPE LRSHD	Back Pillar Long Rectangular	Standard Heavy Duty	6 7
	TYPE DR TYPE DRHD	Diagonal Pillar Rectangular	Standard Heavy Duty	8 9
	TYPE CR TYPE CRHD	Centre Pillar Rectangular	Standard Heavy Duty	10 11
	TYPE CC TYPE CCHD	Centre Pillar Long Rectangular	Standard Heavy Duty	12 13
	TYPE FPR TYPE FPRHD	Four Pillar Rectangular	Standard Heavy Duty	14 15
	TYPE FPLR TYPE FPLRHD	Four Pillar Long Rectangular	Standard Heavy Duty	16 17
	TYPE BRS TYPE BRSHD	Back Pillar Reversed Rectan- gular	Standard Heavy Duty	18 19
	TYPE SS TYPE SSHHD	Back Pillar Square	Standard Heavy Duty	20 21
	TYPE DS TYPE DSHD	Diagonal Pillar Square	Standard Heavy Duty	22 23
	TYPE RO TYPE ROHD	Back Pillar Round	Standard Heavy Duty	24 25
	TYPE CPRO TYPE CPROHD	Centre Pillar Round	Standard Heavy Duty	26 27
	TYPE DPRO TYPE DPROHD	Diagonal Pillar Round	Standard Heavy Duty	28 29

DIE SETS ACCESSORIES

		Plain Pillar and Bush Sets	30
		Demountable Pillar and Bush Sets	31
		Ball Bearing Pillar and Bush Sets	32
		Die Set Spigots	33

voestalpine

ONE STEP AHEAD.



PRODUCTS NOT INCLUDED IN THE STANDARD RANGE OF MITCO DIE SETS

- Economy Die Sets
- Profiling and grinding of mild steel plates
- Pins and Bushes hardened and precision ground for industrial application
- Mould sets and individual plates for the plastic moulding industry

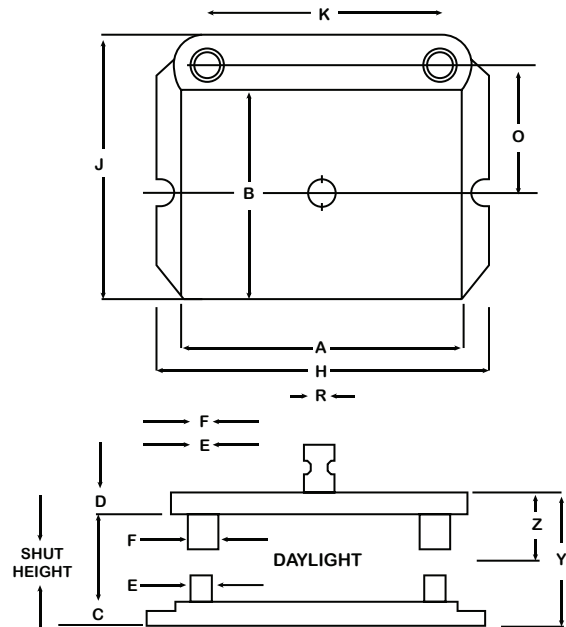
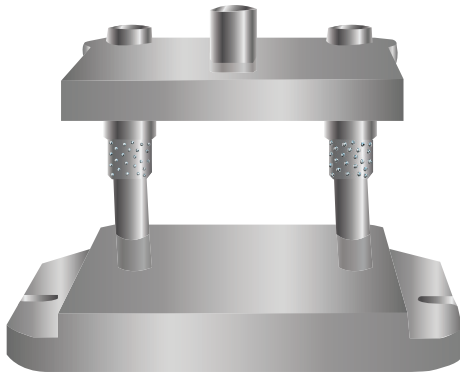
TEL: (011) 571 2300

voestalpine

ONE STEP AHEAD.

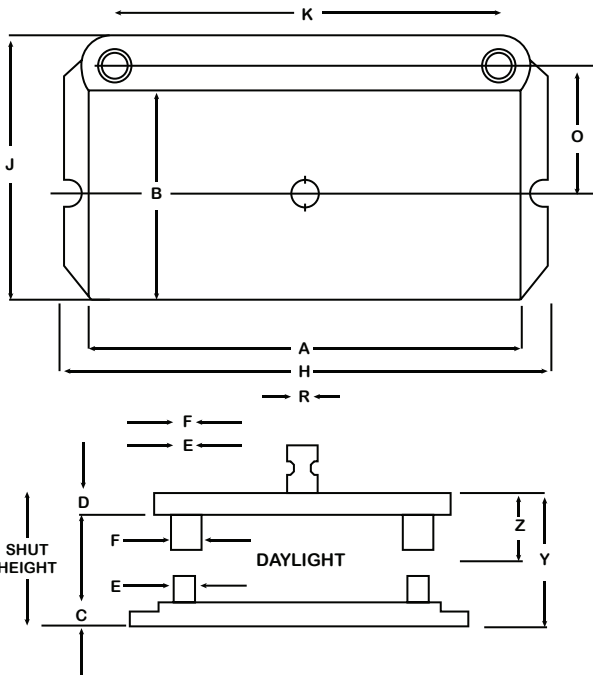


**TYPE BBR
BACK PILLAR RECTANGULAR
STANDARD BALL BEARING DIE SETS**

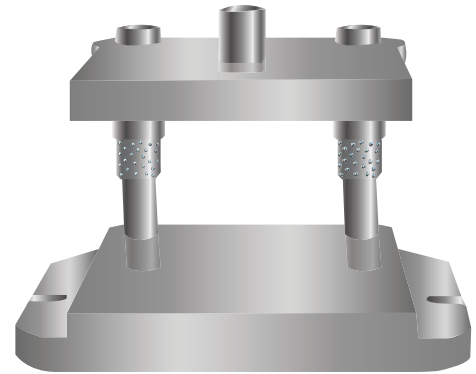


**When ordering please state Type and Code No. and Shut Height.*

Code	Die Space	Plate Thickness		Pillar		Bush		Spigot Dia R	Overall Dimensions H x J	Pillar centres K	Dimension O	Shut Height
	A X B	Base C	Top D	Dia x E	Lgth Y	Dia x F	Lgth Z					
9502701	100X75	25	25	20	160	36	70	40	155	127	60	160
9502702					145							
9502703					130							
9502704					115							
9502705					180							
9502706	125X100	30	25	25	165	43	80	40	195	160	80	73
9502707					150							
9502708					135							
9502709					180							
9502710					165							
9502711	150X114	30	25	25	150	43	80	40	220	170	102	77
9502712					135							
9502713					180							
9502714					165							
9502715					150							
9502716	175X125	35	30	25	135	43	80	40	257	190	122	90
9502717					180							
9502718					165							
9502719					150							
9502720					175							
9502721	200X150	35	30	32	250	53	100	40	282	216	140	102
9502722					225							
9502723					200							
9502724					200							
9502725					175							
9502726	225X175	40	35	32	250	53	100	45	325	250	160	118
9502727					225							
9502728					200							
9502729					175							
9502730					250							
9502731	250X200	40	35	32	280	59	100	45	412	310	230	146
9502732					255							
9502733					230							
9502734					205							
9502735					315							
9502736	300X225	50	40	38	290	65	100	45	463	336	280	160
9502737					265							
9502738					240							
9502739					315							
9502740					290							
9502741	350X250	50	40	40	265	65	100	45	514	388	330	184
9502742					240							
9502743					315							
9502744					290							
9502745					265							
9502746	400X300	50	40	40	240	65	100	45	565	454	344	216
9502747					315							
9502748					290							
9502749					265							
9502750					240							
9502751	450X350	55	50	40	315	71	100	45	616	478	394	228
9502752					290							
9502753					265							
9502754					240							
9502755					315							
9502756	500X375	55	50	50	290	71	100	45	716	560	490	270
9502757					265							
9502758					240							
9502759					315							
9502760					290							
9502761	600X450	55	50	50	265	71	100	45	716	560	490	270
9502762					240							
9502763					315							
9502764					290							
9502765					265							



**TYPE BLL
BACK PILLAR LONG RECTANGULAR
STANDARD BALL BEARING DIE SETS**

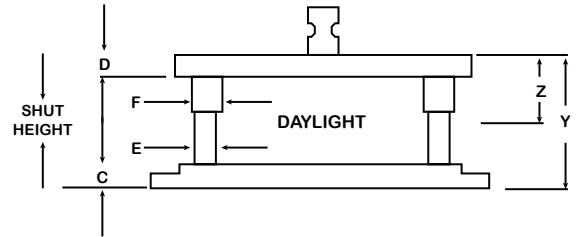
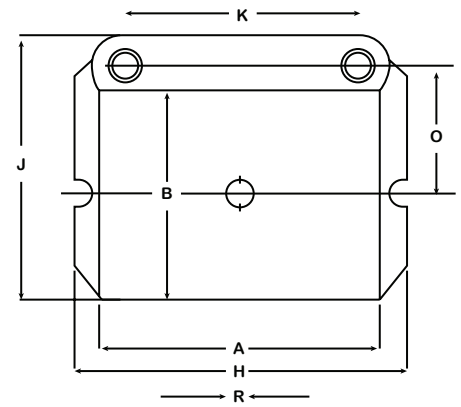
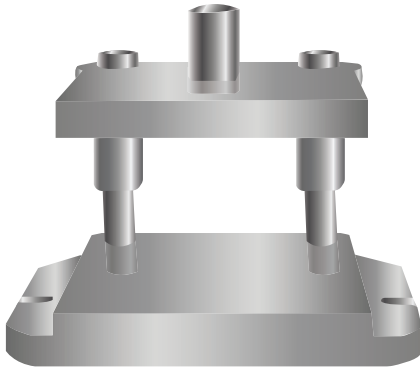


*When ordering please state Type and Code No. and Shut Height.

Code	Die Space	Plate Thickness		Pillar		Bush		Spigot Dia R	Overall Dimensions		Pillar centres	Dimension	Shut Height
	A X B	Base C	Top D	Dia x E	Lgth Y	Dia x F	Lgth Z		H	x J	K	O	
9502901	150X75	30	25	20	160	36	70	40	218	127	114	58	160
9502902					145								145
9502903					130								130
9502904					115								115
9502905					180								180
9502906	165	165											
9502907	175X100	30	25	25	150	43	80	40	150	160	128	76	150
9502908					135								135
9502909					180								180
9502910					165								165
9502911					150								150
9502912	135	135											
9502913	225X100	35	30	25	250	43	80	40	308	165	172	76	250
9502914					225								225
9502915					200								200
9502916					175								175
9502917					250								250
9502918	225	225											
9502919	250X125	35	30	32	200	53	too	40	332	180	196	84	200
9502920					175								175
9502921					280								280
9502922					255								255
9502923					230								230
9502924	205	205											
9502925	300X125	40	35	32	280	59	100	45	403	200	242	92	280
9502926					255								255
9502927					230								230
9502928					205								205
9502929					315								315
9502930	350X150	40	35	38	290	65	100	45	454	225	292	105	290
9502931					265								265
9502932					240								240
9502933					315								315
9502934					290								290
9502935	265	265											
9502936	400X175	45	40	38	240	59	100	45	514	260	330	122	240
9502937					205								205
9502938					315								315
9502939					290								290
9502940					265								265
9502941	450X225	45	40	40	240	71	100	45	565	312	382	146	240
9502942					315								315
9502943					290								290
9502944					265								265
9502945					240								240
9502946	500X250	50	45	40	315	65	100	45	616	352	406	166	315
9502947					290								290
9502948					265								265
9502949					240								240
9502950					315								315
9502951	600X300	50	45	50	290	71	100	45	718	402	510	190	290
9502952					265								265
9502953					240								240
9502954					315								315
9502955					290								290
9502956	750X375	55	50	50	265	71	100	45	870	486	648	232	265
9502957					240								240
9502958					315								315
9502959					290								290
9502960					265								265
9502961	240	240											



**TYPE RS
BACK PILLAR RECTANGULAR
STANDARD BEARING DIE SETS**

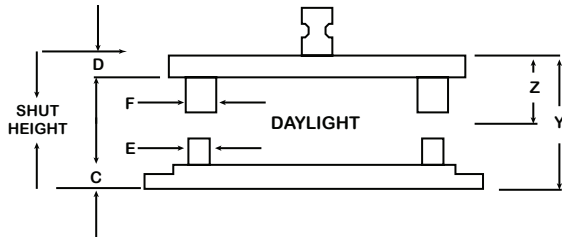
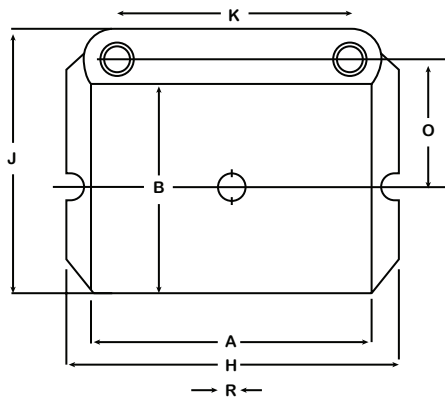
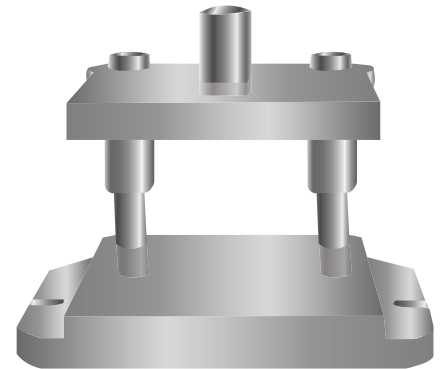


**When ordering please state Type and Code No. and Shut Height.*

Code	Die Space	Plate Thickness		Pillar		Bush		Spigot Dia R	Overall Dimensions		Pillar centres K	Dimension O	Shut Height
	A X B	Base C	Top D	Dia x E	Lgth Y	Dia x F	Lgth Z		H	J			
9500101	100X75	25	25	18	160	28	70	40	155	127	60	60	160
9500102					145								145
9500103					130								130
9500104	125X100	30	25	22	115	35	80	10	195	160	80	73	115
9500105					180								180
9500106					165								165
9500107	150X114	30	25	22	150	35	80	40	220	170	102	77	150
9500108					135								135
9500109					180								180
9500110	175X125	35	30	25	165	38	80	40	257	190	122	90	165
9500111					150								150
9500112					135								135
9500113	200X150	35	30	28	180	40	90	40	282	216	140	102	180
9500114					165								165
9500115					150								150
9500116	225X175	40	35	32	135	44	100	45	326	250	160	118	135
9500117					200								200
9500118					175								175
9500119	250X200	40	35	32	250	44	100	45	352	276	186	130	250
9500120					225								225
9500121					200								200
9500122	300X225	50	40	38	175	50	100	45	412	310	230	146	175
9500123					280								280
9500124					255								255
9500125	350X250	50	40	38	230	50	100	45	463	336	280	160	230
9500126					205								205
9500127					230								230
9500128	400X300	50	40	41	175	55	100	45	514	388	330	184	175
9500129					280								280
9500130					255								255
9500131	450X350	55	50	44	230	63	125	45	565	454	344	216	230
9500132					205								205
9500133					280								280
9500134	500X375	55	50	44	255	63	125	45	616	478	394	228	255
9500135					230								230
9500136					205								205
9500137	600X450	55	50	50	280	70	125	45	716	560	490	270	280
9500138					255								255
9500139					230								230
9500140					205								205
9500141					315								315
9500142					290								290
9500143					265								265
9500144					240								240
9500145					315								315
9500146					290								290
9500147					265								265
9500148					240								240
9500149					315								315



**TYPE RSHD
BACK PILLAR RECTANGULAR
HEAVY DUTY DIE SETS**

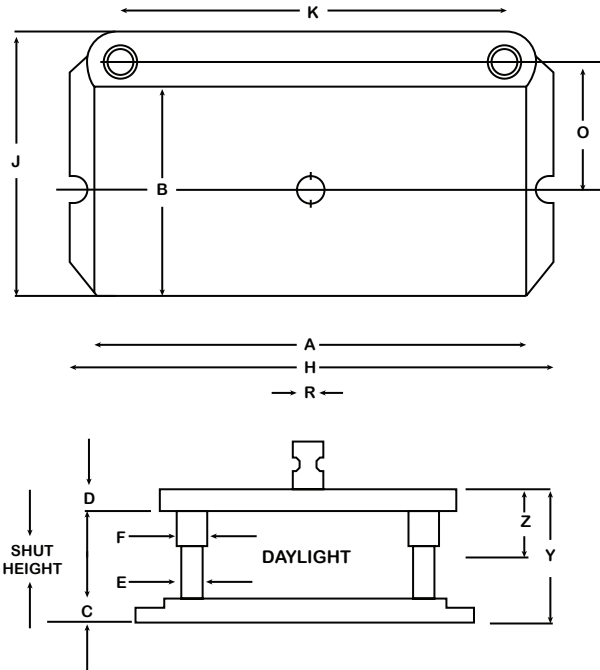
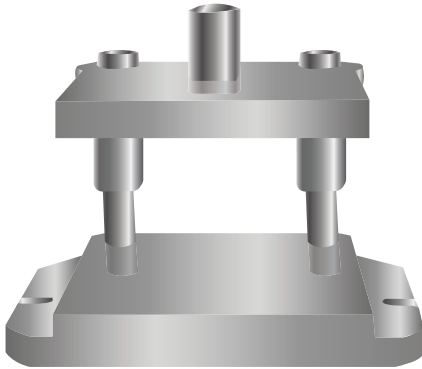


*When ordering please state Type and Code No. and Shut Height.

Code	Die Space	Plate Thickness		Pillar		Bush		Spigot Dia R	Overall Dimensions		Pillar centres K	Dimension O	Shut Height
	A X B	Base C	Top D	Dia x E	Lgth Y	Dia x F	Lgth Z		H	x J			
9500201	100 x 75	30	30	18	160	28	70	40	155	127	60	60	160
9500202					145								145
9500203					115								130
9500204					115								115
9500205	125 x 100	35	30	22	180	35	80	40	195	160	80	73	180
9500206					165								165
9500207					135								150
9500208					135								135
9500209	150 x 114	35	30	22	180	35	80	40	220	170	102	77	180
9500210					165								165
9500211					135								150
9500212					135								135
9500213	175 x 125	45	40	25	180	38	80	45	257	190	122	90	180
9500214					165								165
9500215					135								150
9500216					135								135
9500217	200 x 150	50	40	28	250	40	90	45	282	216	140	102	250
9500218					225								225
9500219					175								200
9500220					175								175
9500221	225 x 175	55	50	32	250	44	100	45	326	250	160	118	250
9500222					225								225
9500223					175								200
9500224					175								175
9500225	250 x 200	55	50	32	250	44	100	45	352	276	186	130	250
9500226					225								225
9500227					175								200
9500228					175								175
9500229	300 x 225	60	50	38	280	50	100	45	412	310	230	146	280
9500230					255								255
9500231					205								230
9500232					205								205
9500233	350 x 250	60	50	38	280	50	100	45	463	336	280	160	280
9500234					255								255
9500235					205								230
9500236					205								205
9500237	400 x 300	60	50	41	280	55	100	45	514	388	330	184	280
9500238					255								255
9500239					205								230
9500240					205								205
9500241	450 x 350	65	55	44	315	63	125	50	565	454	344	216	315
9500242					290								290
9500243					240								265
9500244					240								240
9500245	500 x 375	65	55	44	315	63	125	50	616	478	394	228	315
9500246					290								290
9500247					240								265
9500248					240								240
9500249	300 x 450	75	65	50	315	70	125	50	716	560	490	270	315

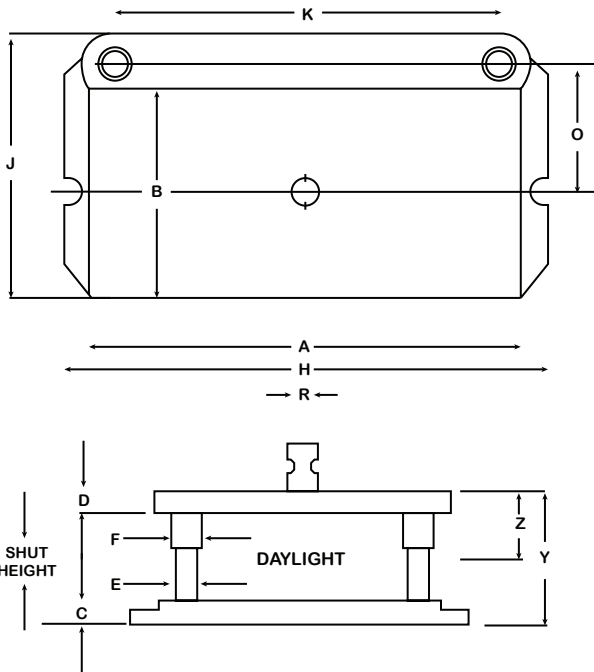


**TYPE LRS
BACK PILLAR LONG RECTANGULAR
STANDARD DIE SETS**

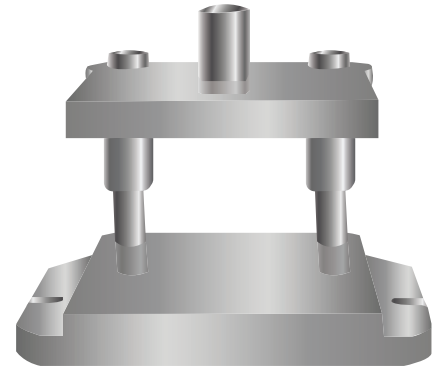


**When ordering please state Type and Code No. and Shut Height.*

Code	Die Space	Plate Thickness		Pillar		Bush		Spigot Dia R	Overall Dimensions		Pillar centres K	Dimension O	Shut Height
	A X B	Base C	Top D	Dia x E	Lgth Y	Dia x F	Lgth Z		H	x J			
9500301	150 x 75	30	25	18	160	28	70	40	218	127	114	58	160
9500302					145								145
9500303					130								130
9500304	175 x 100	30	25	22	115	35	80	40	250	160	128	76	115
9500305					180								180
9500306					165								165
9500307	225 x 100	35	30	25	150	38	80	40	308	165	172	76	150
9500308					135								135
9500309					180								180
9500310	250 x 125	35	30	28	165	40	90	40	332	180	198	84	165
9500311					150								150
9500312					135								135
9500313	300 x 125	40	35	32	250	44	100	45	403	200	242	92	250
9500318					225								225
9500319					200								200
9500320	350 x 150	40	35	32	175	44	100	45	454	225	292	105	175
9500321					250								250
9500322					225								225
9500323	400 x 175	45	40	38	200	50	100	45	514	260	330	122	200
9500324					175								175
9500325					280								280
9500326	450 x 225	45	40	41	255	55	100-	45	565	312	382	146	255
9500327					230								230
9500328					205								205
9500329	500 x 250	50	45	44	280	63	125	45	616	352	406	166	80
9500330					255								255
9500331					230								230
9500332	600 x 300	50	45	44	205	63	125	45	718	402	510	190	205
9500333					315								315
9500334					290								290
9500335	750 x 375	55	50	50	265	70	125	45	870	486	648	232	265
9500336					240								240
9500337					315								315
9500338					290								290
9500339					265								265
9500340					240								240
9500341					315								315
9500342					290								290
9500343					265								265
9500344					240								240



**TYPE LRSHD
BACK PILLAR LONG RECTANGULAR
HEAVY DUTY DIE SETS**

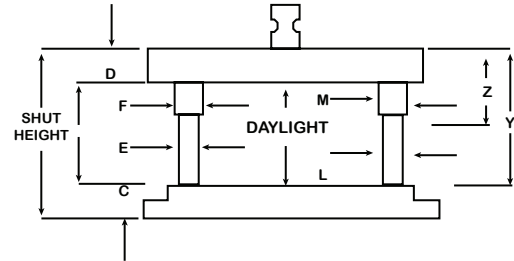
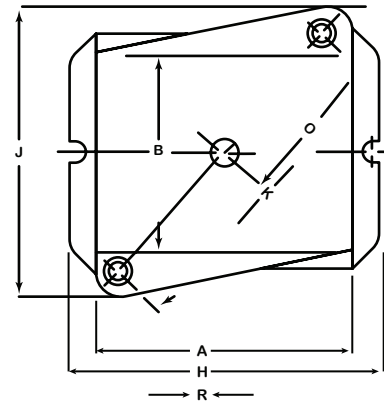
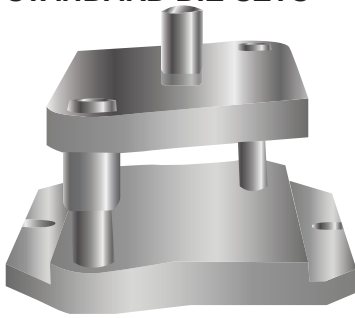


*When ordering please state Type and Code No. and Shut Height.

Code	Die Space	Plate Thickness		Pillar		Bush		Spigot Dia R	Overall Dimensions		Pillar centres K	Dimension	Shut Height
	A X B	Base C	Top D	Dia x E	Lgth Y	Dia x F	Lgth Z		H x J	O			
9500401	150X75	35	30	18	160	28	70	40	218	127	114	58	160
9500402					145								145
9500403					130								130
9500404					115								115
9500405					180								180
9500406	175X100	35	30	22	165	35	80	40	250	160	128	76	165
9500407					150								150
9500408					135								135
9500409					180								180
9500410					165								165
9500411	225X100	45	40	25	150	38	80	45	308	165	172	76	150
9500412					135								135
9500413					180								180
9500414					225								225
9500415					200								200
9500416	250X125	50	40	28	175	40	SO	45	332	180	198	84	175
9500417					200								200
9500418					225								225
9500419					200								200
9500420					175								175
9500421	300X125	50	45	32	250	44	100	45	403	200	242	92	250
9500422					225								225
9500423					200								200
9500424					175								175
9500425					280								280
9500426	350X150	50	45	32	255	44	100	45	454	225	292	105	255
9500427					230								230
9500428					205								205
9500429					280								280
9500430					255								255
9500431	450X225	55	50	41	230	55	100	45	565	312	382	146	230
9500432					205								205
9500433					315								315
9500434					290								290
9500435					265								265
9500436	500X250	65	55	44	240	63	125	50	161	352	406	166	240
9500437					265								265
9500438					315								315
9500439					290								290
9500440					240								240
9500441	600	65	55	44	315	63	125	50	718	402	510	190	315
9500442					290								290
9500443					265								265
9500444					240								240
9500444					750X375								75
9500442	290	290											
9500443	265	265											
9500444	240	240											

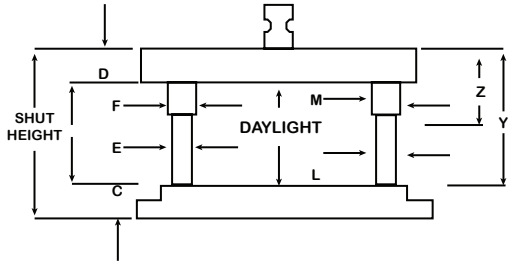
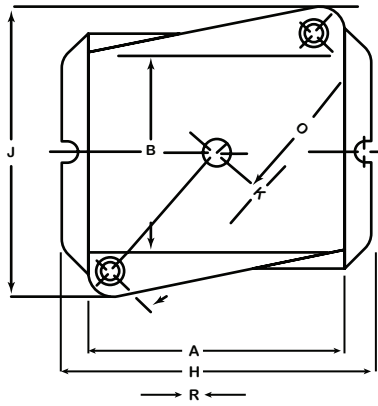


**TYPE DR
DIAGONAL PILLAR RECTANGULAR
STANDARD DIE SETS**

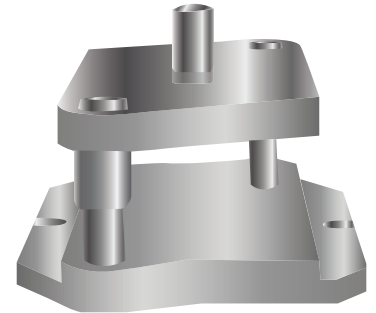


**When ordering please state Type and Code No. and Shut Height.*

Code	Die Space	Plate Thickness		Pillar			Bush			Spigot Dia	Overall Dimensions	Pillar centres	Dimension	Shut Height	
	A X B	Base	Top	Dia x Lgth	E	L	Z	F	M						Z
		C	D							E	L	Z	F		
9500501	100X75	25	25	18	22	160	28	35	70	40	155	175	122	61	160
9500502															145
9500503															130
9500504	125X100	30	25	22	25	180	35	38	80	40	194	210	160	80	115
9500505															180
9500506															165
9500507	150X114	30	25	22	25	180	35	38	80	40	22C	226	184	92	150
9500508															135
9500509															150
9500510	175X125	35	30	25	28	180	38	40	80	40	258	248	210	105	165
9500511															150
9500512															135
9500513	200X150	35	30	28	32	250	40	44	90	40	282	280	242	121	180
9500514															165
9500515															150
9500516	225X175	40	35	32	38	250	44	50	100	45	328	324	280	140	135
9500517															175
9500518															200
9500519	250X200	40	35	32	38	250	44	50	100	45	352	346	306	153	200
9500520															175
9500521															225
9500522	300X225	45	40	38	41	280	50	55	100	45	412	388	362	181	250
9500523															200
9500524															175
9500525	350X250	45	40	38	41	280	50	55	100	45	464	422	420	210	250
9500526															230
9500527															205
9500528	400X300	45	40	38	41	280	50	55	100	45	514	466	490	245	230
9500529															255
9500530															230
9500531	450X350	50	45	44	50	315	63	70	125	45	566	552	546	273	205
9500532															205
9500533															280
9500534	500X375	50	45	44	50	315	63	70	125	45	616	578	598	299	255
9500535															230
9500536															205
9500537	600X450	50	45	44	50	315	63	70	125	45	718	670	724	362	280
9500538															255
9500539															230
9500540						205									205
9500541															290
9500542															265
9500543						240									240
9500544															240
9500545															290
9500546						265									290
9500547															240
9500548															240
9500549						315									290
9500550															290
9500551															265
9500552						240									240



**TYPE DRHD
DIAGONAL PILLAR RECTANGULAR
HEA VY DUTY DIE SETS**

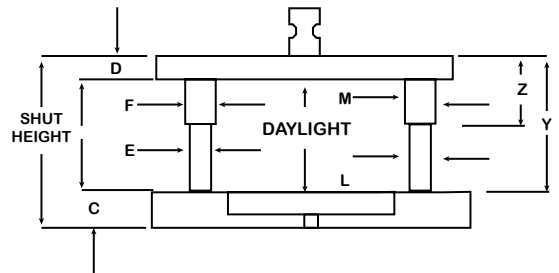
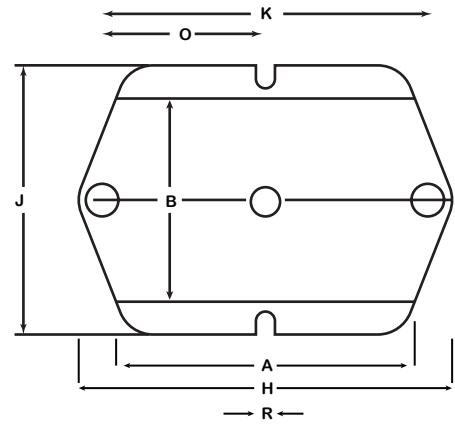
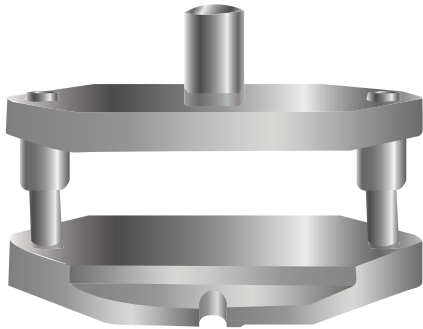


*When ordering please state Type and Code No. and Shut Height.

Code	Die Space A X B	Plate Thickness		Pillar			Bush			Spigot Dia R	Overall Dimensions		Pillar centres K	Dimension O	Shut Height
		Base C	Top D	Dia x Lgth E L Z			Dia x Lgth F M Z				H	J			
9500601	100X75	30	30	18	22	160	28	35	70	40	155	175	122	61	160
9500602						145									145
9500603						130									130
9500604						115									115
9500605	125X100	35	30	22	25	180	35	38	80	40	194	210	160	80	180
9500606						165									165
9500607						150									150
9500608						135									135
9500609	150X114	35	30	22	25	180	35	38	80	40	220	226	184	92	180
9500610						165									165
9500611						150									150
9500612						135									135
9500613	175X125	45	40	25	28	180	38	40	80	45	258	248	210	105	180
9500614						165									165
9500615						150									150
9500616						135									135
9500617	200X150	45	40	28	32	250	40	44	90	45	282	280	242	121	250
9500618						225									225
9500619						200									200
9500620						175									175
9500621	225X175	50	45	32	38	250	44	50	100	45	328	324	280	140	250
9500622						225									225
9500623						200									200
9500624						175									175
9500625	250X200	50	45	32	38	250	44	50	100	45	352	346	306	153	250
9500626						225									225
9500627						200									200
9500628						175									175
9500629	300X225	55	50	33	41	280	50	55	100	45	412	388	362	181	280
9500630						255									255
9500631						230									230
9500632						205									205
9500633	350X250	55	50	38	41	280	50	55	100	45	464	422	420	210	280
9500634						255									255
9500635						230									230
9500636						205									205
9500637	400X300	55	50	38	41	280	50	55	100	45	514	466	490	245	280
9500638						255									255
9500639						230									230
9500640						205									205
9500641	450X350	65	55	44	50	315	63	70	125	50	566	552	546	273	315
9500642						290									290
9500643						265									265
9500644						240									240
9500645	500X375	65	55	44	50	315	63	70	125	50	616	578	598	299	315
9500646						290									290
9500647						265									265
9500648						240									240
9500649	600X450	75	65	44	50	315	63	70	125	50	718	670	724	362	315
9500650						290									290
9500651						265									265
9500652						240									240

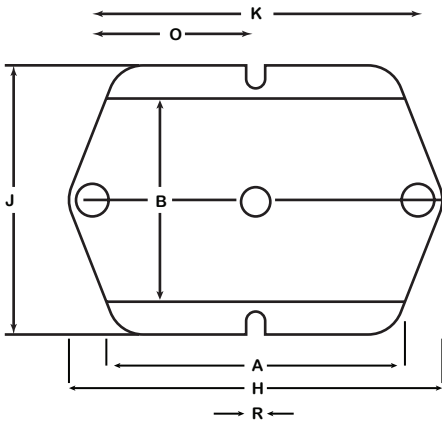


**TYPE CR
CENTRE PILLAR RECTANGULAR
STANDARD DIE SETS**

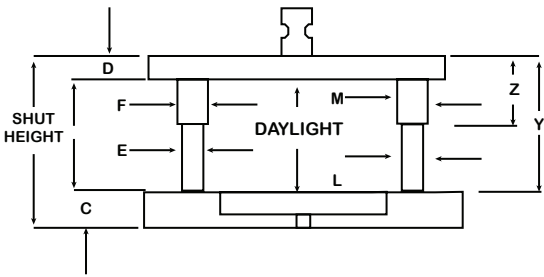
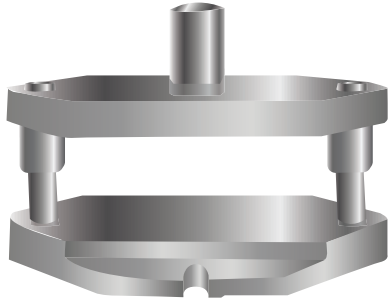


*When ordering please state Type and Code No. and Shut Height.

Code	Die Space	Plate Thickness		Pillar			Bush			Spigot Dia R	Overall Dimensions		Pillar centres	Dimension	Shut Height
	A X B	Base C	Top D	Dia x Lgth E L Z			Dia x Lgth F M Z				H x J	K	O		
9500701	125 x 100	30	25	18	22	160	28	35	70	40	228	168	166	83.0	160
9500702						145									145
9500703						130									130
9500704						115									115
9500705	150 x 114	30	25	22	25	180	35	38	80	40	264	182	198	99,0	180
9500706						165									165
9500707						150									150
9500708						135									135
9500709	175 x 125	35	30	25	28	180	38	40	80	40	302	206	230	115.0	180
9500710						165									165
9500711						150									150
9500712						135									135
9500713	200 x 150	35	30	28	32	250	40	44	90	40	330	232	254	127,0	250
9500714						225									225
9500715						200									200
9500716						175									175
9500717	225 x 175	40	35	32	38	250	44	50	100	45	375	276	286	143,0	250
9500718						225									225
9500719						200									200
9500720						175									175
9500721	250 x 200	40	35	32	38	250	44	50	100	45	400	302	312	156(0)	250
9500722						225									225
9500723						200									200
9500724						175									175
9500725	300 x 225	45	40	38	41	280	50	55	100	45	470	336	370	185,0	280
9500726						255									255
9500727						230									230
9500728						205									205
9500729	350 x 266	45	40	38	41	280	50	55	100	45	520	374	420	210,0	280
9500730						255									255
9500731						230									230
9500732						205									205
9500733	400 x 300	45	40	38	41	280	50	55	100	45	570	412	470	235,0	280
9500734						255									255
9500735						230									230
9500736						205									205
9500737	450 x 350	50	45	44	50	315	63	70	125	45	660	458	534	267,0	315
9500738						290									290
9500739						265									265
9500740						240									240
9500741	500 x 375	50	45	44	50	315	63	70	125	45	705	488	584	292,0	315
9500742						290									290
9500743						265									265
9500744						240									240
9500745	600 x 450	55	50	44	50	315	63	70	125	45	812	565	686	343,0	315
9500746						290									290
9500747						265									265
9500748						240									240



**TYPE CRHD
CENTRE PILLAR RECTANGULAR
HEAVY DUTY DIE SETS**

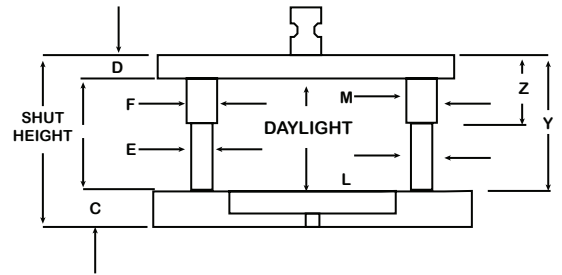
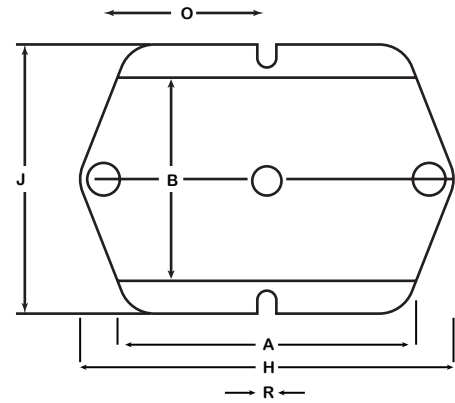
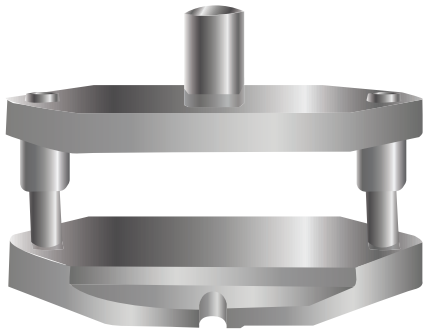


*When ordering please state Type and Code No. and Shut Height.

Code	Die Space A X B	Plate Thickness		Pillar			Bush			Spigot Dia R	Overall Dimensions		Pillar centres K	Dimension O	Shut Height
		Base C	Top D	Dia x Lgth			Dia x Lgth				H x J				
				E	L	Z	F	M	Z						
9500801	125X100	35	30	18	22	180	28	35	70	40	228	168	166	83,0	160
9500802				145											
9500803				130											
9500804				115											
9500805	150X114	35	30	22	25	180	35	38	80	40	264	182	198	99,0	180
9500806						185									
9500807						150									
9500808						135									
9500809	175X125	45	40	25	23	180	38	40	80	45	302	206	230	115,0	180
9500810						185									
9500811						150									
9500812						135									
9500813	200X150	45	40	28	32	250	40	44	90	45	330	232	254	127,0	250
9500814						225									
9500815						200									
9500816						175									
9500817	225X175	50	45	32	38	250	44	50	100	45	375	276	286	143,0	250
9500818						225									
9500819						200									
9500820						175									
9500821	250X200	50	45	32	38	250	44	50	100	45	400	302	312	156,0	250
9500822						225									
9500823						200									
9500824						175									
9500825	300X225	55	50	38	41	280	50	55	100	45	470	336	370	185,0	280
9500826						255									
9500827						230									
9500828						205									
9500829	350X266	55	50	38	41	230	50	55	100	45	520	374	420	210,0	280
9500830						255									
9500831						230									
9500832						205									
9500833	400X300	55	50	38	41	280	50	55	100	45	570	412	470	235,0	280
9500834						255									
9500835						230									
9500836						205									
9500837	450X350	75	65	44	50	315	63	70	125	50	660	458	534	267,0	315
9500838						290									
9500839						265									
9500840						240									
9500841	500X375	75	65	44	50	315	63	70	125	50	705	488	584	292,0	315
9500842						290									
9500843						265									
9500844						240									

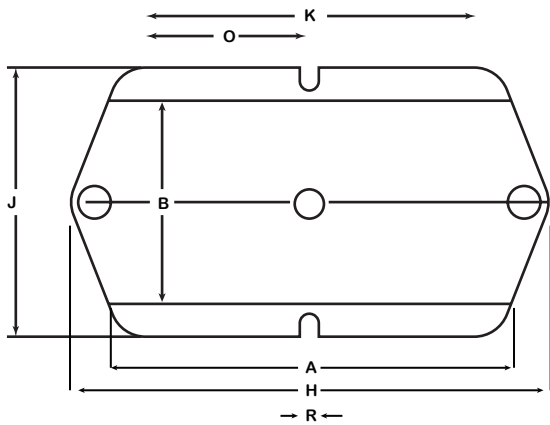


**TYPE CC
CENTRE PILLAR LONG RECTANGULAR
STANDARD DIE SETS**

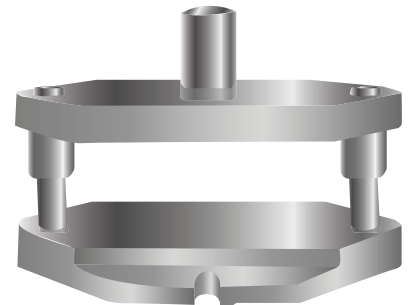
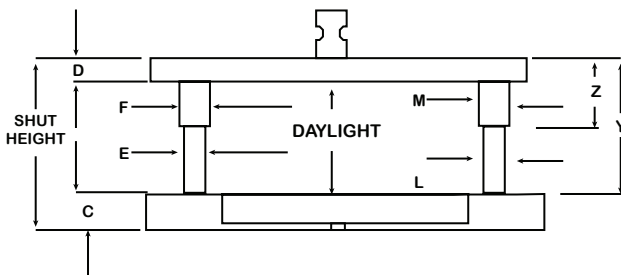


**When ordering please state Type and Code No. and Shut Height.*

Code	Die Space A X B	Plate Thickness		Pillar			Bush			Spigot Dia R	Overall Dimensions		Pillar centres K	Dimension O	Shut Height
		Base C	Top D	Dia x Lgth E L Z			Dia x Lgth F M Z				H	J			
9500901	150X75	30	25	18	22	160	28	35	70	40	254	150	190	95,0	160
9500902						145									145
9500903						130									130
9500904	175X88	30	25	22	25	180	35	38	80	40	288	162	222	111,0	115
9500905						165									165
9500906						150									150
9500907						135									135
9500908	200X100	35	30	25	28	180	38	40	80	40	328	180	254	127,0	180
9500909						165									165
9500910						150									150
9500911						135									135
9500912						200									200
9500913	225X114	35	30	28	32	250	40	44	90	40	356	194	280	140,0	250
9500914						225									225
9500915						200									200
9500916						175									175
9500917	250X125	35	30	28	32	250	40	44	90	40	380	206	306	153,0	250
9500918						225									225
9500919						200									200
9500920						175									175
9500921						300X150									40
9500922	225	225													
9500923	200	200													
9500924	175	175													
9500925	350X175	40	35	32	38	250	44	50	100	45	502	276	414	207,0	250
9500926						225									225
9500927						200									200
9500928						175									175
9500929	400X200	50	40	38	41	280	50	55	100	45	570	310	470	235,0	280
9500930						255									255
9500931						230									230
9500932						205									205
9500933	450X225	50	40	38	41	280	50	55	100	45	622	336	522	261,0	280
9500934						255									255
9500935						230									230
9500936						205									205
9500937	500X250	55	50	38	41	280	50	55	100	45	672	362	572	286,0	280
9500938						255									255
9500939						230									230
9500940						205									205



**TYPE CCHD
CENTRE PILLAR LONG RECTANGULAR
HEAVY DUTY DIE SETS**

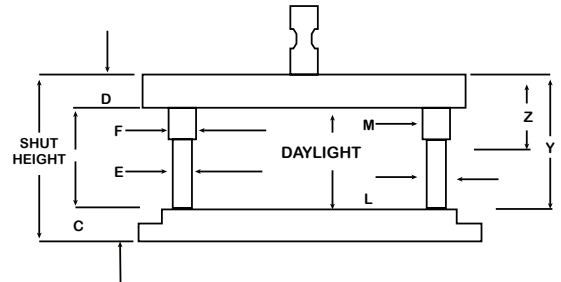
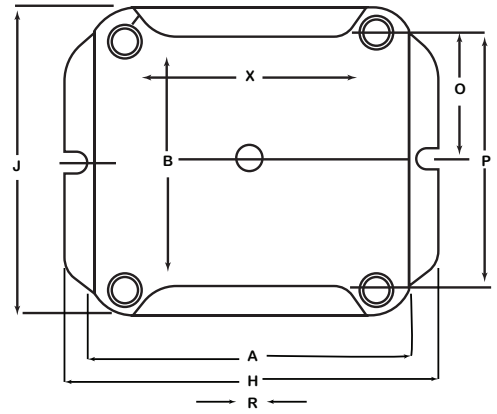
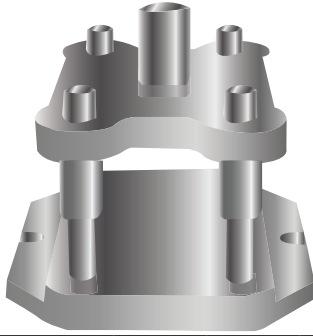


*When ordering please state Type and Code No. and Shut Height.

Code	Die Space A X B	Plate Thickness		Pillar			Bush			Spigot Dia R	Overall Dimensions H x J		Pillar centres K	Dimension O	Shut Height
		Base C	Top D	Dia x Lgth E L Z			Dia x Lgth F M Z				K	O			
9501001	150X75	35	30	18	22	160	28	35	70	40	254	150	190	95,0	160
9501002				145											145
9501003				130											130
9501004				115											115
9501005	175X88	35	30	22	25	180	35	38	80	40	288	162	222	111,0	180
9501006				165											165
9501007				150											150
9501008				135											135
9501009	200X100	45	40	25	28	180	38	40	80	45	328	180	254	127,0	180
9501010				165											165
9501011				150											150
9501012				135											135
9501013	225X114	50	40	28	32	250	40	44	90	45	356	194	280	140,0	250
9501014				225											225
9501015				200											200
9501016				175											175
9501017	250X125	50	40	28	32	250	40	44	90	45	380	206	306	153,0	250
9501018				225											225
9501019				200											200
9501020				175											175
9501021	300X150	50	45	32	38	250	44	50	100	45	450	250	362	181,0	250
9501022				225											225
9501023				200											200
9501024				175											175
9501025	350X175	50	45	32	38	250	44	50	100	45	502	276	414	207,0	250
9501026				225											225
9501027				200											200
9501028				175											175
9501029	400X200	55	50	38	41	280	50	55	180	45	570	310	470	235,0	280
9501030				255											255
9501031				230											230
9501032				205											205
9501033	450X225	55	50	38	41	280	50	55	100	45	622	336	522	261,0	280
9501034				255											255
9501035				230											230
9501036				205											205
9501037	500X250	75	65	38	41	280	50	55	100	50	672	362	572	286,0	280
9501038				255											255
9501039				230											230
9501040				205											205
9501041	600X300	75	65	44	50	315	63	70	125	50	806	412	686	343,0	315
9501042				290											290
9501043				265											265
9501044				240											240

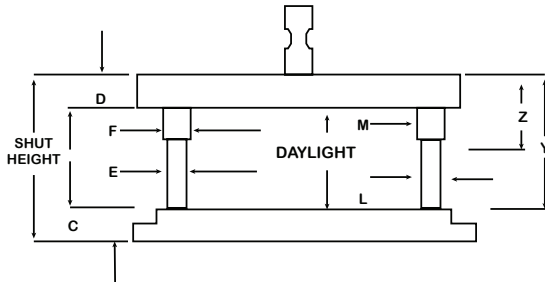
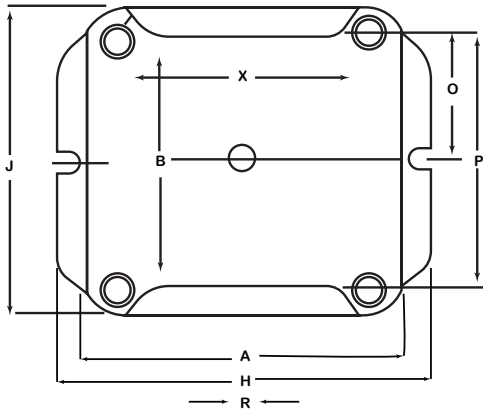


**TYPE FPR
FOUR PILLAR RECTANGULAR
STANDARD DIE SETS**



*When ordering please state Type and Code No. and Shut Height.

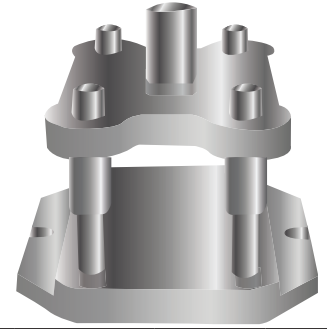
Code	Die Space			Plate Thickness		Pillar		Bush		Spigot Dia R	Overall Dimensions		Pillar centres		Dimension O	Shut Height
	A	B	X	Base C	Top D	Dia x Lgth E Y	Dia x Lgth F Z	H x J	K P							
9501101	200	150	96	35	30	25	180	38	80	40	282	282	140	204	102,0	180
9501102							165									165
9501103							150									150
9501104							135									135
9501105	225	175	108	40	35	28	250	40	90	45	328	328	160	230	115.0	250
9501106							225									225
9501107							200									200
9501108							175									175
9501109	250	200	134	40	35	28	250	40	90	45	352	352	184	254	127.0	250
9501110							225									225
9501111							200									200
9501112							175									175
9501113	300	225	178	45	40	32	250	44	100	45	412	394	230	286	143,0	250
9501114							225									225
9501115							200									200
9501116							175									175
9501117	350	268	216	45	40	38	280	50	100	45	464	438	274	330	165.0	280
9501118							255									255
9501119							230									230
9501120							205									205
9501121	400	305	268	45	40	38	280	50	100	45	514	476	324	368	184.0	280
9501122							255									255
9501123							230									230
9501124							205									205
9501125	450	356	318	50	45	41	280	55	100	45	565	528	376	420	210.0	280
9501126							255									255
9501127							230									230
9501128							205									205
9501129	500	380	370	50	45	44	315	63	125	45	616	552	426	444	222.0	315
9501130							290									290
9501131							265									265
9501132							240									240
9501133	600	458	420	55	50	50	315	70	125	45	718	654	490	534	267.0	315
9501134							290									290
9501135							265									265
9501136							240									240
9501137	750	508	572	55	50	50	315	70	125	45	870	704	584	584	292.0	315
9501138							290									290
9501139							265									265
9501140							240									240
9501141	900	610	712	70	55	50	315	70	125	50	1022	818	788	692	346.0	315
9501142							290									290
9501143							265									265
9501144							240									240



*When ordering please state Type and Code No. and Shut Height.



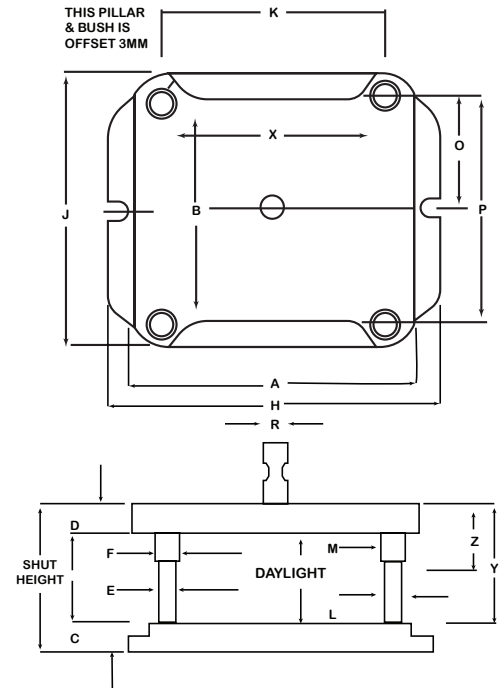
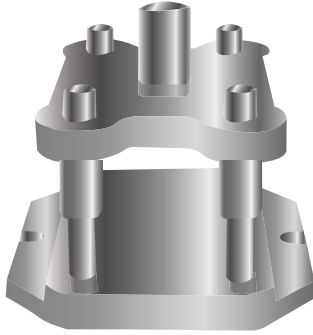
**TYPE FPRHD
FOUR PILLAR RECTANGULAR
HEA VY DUTY DIE SETS**



Code	Die Space			Plate Thickness		Pillar		Bush		Spigot Dia R	Overall Dimensions		Pillar centres		Dimension O	Shut Height
	A	B	X	Base C	Top D	Dia x Lgth E Y	Dia x Lgth F Z	H	J		K	P				
9501201	200	150	96	45	40	25	180	38	80	45	282	282	140	204	102,0	180
9501202							165									165
9501203							150									150
9501204							135									135
9501205	225	175	108	50	45	28	250	40	90	45	328	328	160	230	115,0	250
9501206							225									225
9501207							200									200
9501208							175									175
9501209	250	200	134	50	45	28	250	40	90	45	352	352	184	254	127,0	250
9501210							225									225
9501211							200									200
9501212							175									175
9501213	300	225	178	55	<50	32	250	44	100	45	412	394	230	286	143,0	250
9501214							225									225
9501215							200									200
9501216							175									175
9501217	350	268	216	55	50	38	280	50	100	45	464	438	274	330	165,0	280
9501218							255									255
9501219							230									230
9501220							205									205
9501221	400	305	268	55	50	38	280	50	100	45	514	476	324	368	184,0	280
9501222							255									255
9501223							230									230
9501224							205									205
9501225	450	356	318	65	55	41	280	55	100	50	565	528	376	420	210,0	280
9501226							255									255
9501227							230									230
9501228							205									205
9501229	500	380	370	65	55	44	315	63	125	50	616	552	426	444	222,0	315
9501230							290									290
9501231							265									265
9501232							240									240
9501233	600	458	420	75	70	50	315	70	125	65	718	654	490	534	267,0	315
9501234							290									290
9501235							265									265
9501236							240									240
9501237	750	508	572	75	70	50	315	70	125	65	870	704	584	584	292,0	315
9501238							290									290
9501239							265									265
9501240							240									240
9501241	900	610	712	80	75	50	315	70	125	65	1022	818	788	692	346,0	315
9501242							290									290
9501243							265									265
9501244							240									240



**TYPE FPLR
FOUR PILLAR LONG RECTANGULAR
STANDARD DIE SETS**

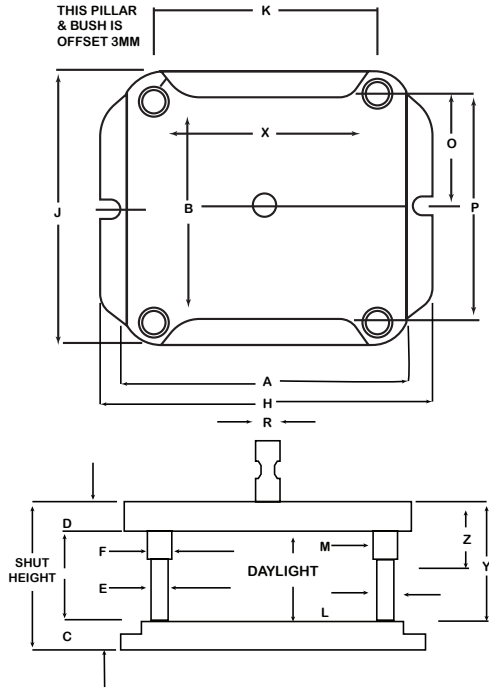
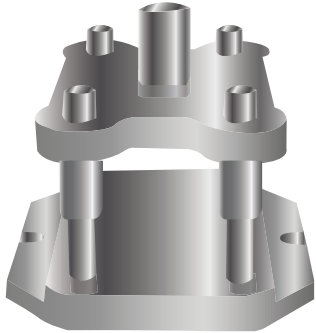


**When ordering please state Type and Code No. and Shut Height.*

Code	Die Space			Plate Thickness		Pillar		Bush		Spigot Dia R	Overall Dimensions		Pillar centres		Dimension O	Shut Height
	A	B	X	Base C	Top D	Dia x Lgth E Y	Dia x Lgth F Z	H	J		K	P				
9501301	200	100	100	35	30	25	180	38	80	40	282	232	146	150	75,0	180
9501302							165									165
9501303							150									150
9501304							135									135
9'501305	225	114	114	40	35	28	250	40	90	45	308	244	166	166	83,0	250
9501306							225									225
9501307							200									200
9501308							175									175
9501309	250	125	140	40	35	28	250	40	90	45	332	256	190	178	89,0	250
9501310							225									225
9501311							200									200
9501312							175									175
9501313	300	150	190	45	40	28	250	40	90	45	402	302	242	204	102,0	250
9501314							225									225
9501315							200									200
9501316							175									175
9501317	350	178	242	45	40	32	250	44	100	45	454	332	292	236	118,0	250
9501318							225									225
9501319							200									200
9501320							175									175
9501321	400	204	274	50	45	38	280	50	100	45	514	374	330	268	134,0	280
9501322							255									255
9501323							230									230
9501324							205									205
9501325	450	228	324	50	45	41	280	55	100	45	565	400	382	292	146,0	280
9501326							255									255
9501327							230									230
9501328							205									205
9501329	50G	254	375	55	50	41	280	55	100	45	616	426	432	320	160,0	280
1501330							255									255
9501331							230									230
9501332							205									205
9501333	600	305	420	55	50	44	315	63	125	45	718	502	490	382	191,0	315
9501334							290									290
9501335							265									265
9501336							240									240
9501337	750	382	572	70	55	50	315	70	125	50	870	578	642	458	229,0	315
9501338							290									290
9501339							265									265
9501340							240									240
9501341	900	458	712	70	55	50	315	70	125	50	1020	666	788	540	270,0	315
950134?							290									290
9501343							265									265
9501344							240									240



**TYPE FPLRHD
FOUR PILLAR LONG RECTANGULAR
HEAVY DUTY DIE SETS**

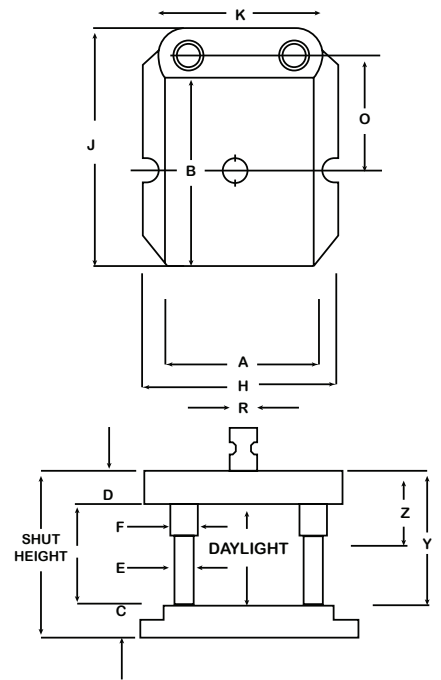
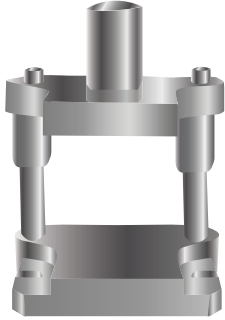


*When ordering please state Type and Code No. and Shut Height.

Code	Die Space			Plate Thickness		Pillar		Bush		Spigot Dia R	Overall Dimensions		Pillar centres		Dimension O	Shut Height
	A	B	X	Base	Top	Dia x Lgth		Dia x Lgth			H x J	K	P			
				C	D	E	Y	F	Z							
9501401	200	100	100	45	40	25	180	38	80	45	282	232	146	150	75,0	180
9501402							165									165
9501403							150									150
9501404							135									135
9501405	225	114	114	50	45	28	250	40	90	45	308	244	166	166	85,0	250
9501406							225									225
9501407							200									200
9501408							175									175
9501409	250	125	140	50	45	28	250	40	90	45	332	256	190	178	89,0	250
9501410							225									225
9501411							200									200
9501412							175									175
9501413	300	150	190	55	50	28	250	40	90	45	402	302	242	204	102,0	250
9501414							225									225
9501415							200									200
9501416							175									175
9501417	350	178	242	55	50	32	250	44	100	45	454	332	292	236	118,0	250
9501418							225									225
9501419							200									200
9501420							175									175
9501421	400	204	274	65	55	38	280	50	100	50	514	374	330	268	134,0	280
9501422							255									255
9501423							230									230
9501424							205									205
9501425	450	228	324	65	55	41	280	55	100	50	565	400	382	292	146,0	280
9501426							255									255
9501427							230									230
9501428							205									205
9501429	500	254	375	75	65	41	280	55	100	50	616	426	432	320	160,0	280
9501430							255									255
9501431							230									230
9501432							205									205
9501433	600	305	420	75	65	44	315	63	125	50	718	502	490	382	191,0	315
9501434							290									290
9501435							265									265
9501436							240									240
9501437	750	382	572	80	75	50	315	70	125	65	870	578	642	458	229	315
9501438							290									290
9501439							265									265
9501440							240									240
9501441	900	458	712	80	75	50	315	70	125	65	1020	666	788	540	270,0	315
9501442							290									290
9501443							265									265
9501444							240									240

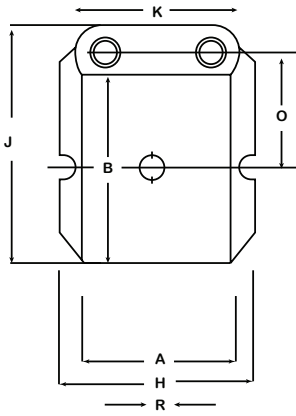


**TYPE BRS
BACK PILLAR REVERSED RECTANGULAR
STANDARD DIE SETS**

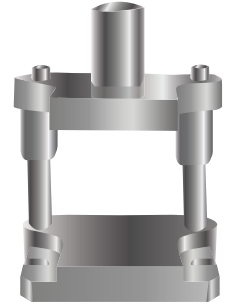
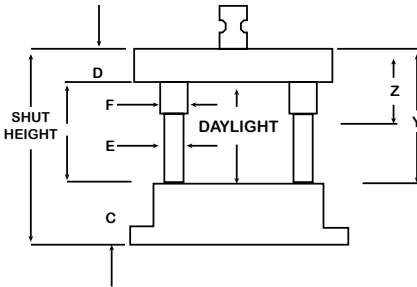


**When ordering please state Type and Code No. and Shut Height.*

Code	Die Space	Plate Thickness		Pillar		Bush		Spigot Dia R	Overall Dimensions		Pillar centres K	Dimension O	Shut Height
	A X B	Base C	Top D	Dia x E	Lgth Y	Dia x F	Lgth Z		H	x J			
9501501	75 x 100	30	25	22	180	35	80	40	142	155	70	70	180
9501502					165								165
9501503					150								150
9501504	100 x 125	35	30	25	135	38	80	40	168	190	90	90	135
9501505					180								180
9501506					165								165
9501507	114 x 150	35	30	25	150	38	80	40	188	216	102	102	150
9501508					135								135
9501509					180								180
9501510	125 x 175	35	30	28	165	40	90	40	206	240	122	114	165
9501511					150								150
9501512					135								135
9501513	150 x 200	35	30	28	250	40	90	40	236	266	140	126	250
9501514					225								225
9501515					200								200
9501516	175 x 225	40	35	32	175	44	100	45	256	302	160	142	175
9501517					250								250
9501518					225								225
9501519	200 x 250	40	35	32	200	44	90	45	282	328	184	156	200
9501520					175								175
9501521					250								250
9501522	225 x 300	50	40	38	225	50	100	45	328	388	210	184	225
9501523					200								200
9501524					175								175
9501525	250 x 350	40	35	32	250	44	90	45	282	328	184	156	250
9501526					225								225
9501527					200								200
9501528	225 x 300	50	40	38	175	50	100	45	328	388	210	184	175
9501529					280								280
9501530					255								255
9501531	250 x 350	50	40	41	230	55	100	45	364	438	250	210	230
9501532					205								205
9501533					280								280
9501534	300 x 400	50	45	44	255	63	125	45	412	502	297	238	255
9501535					230								230
9501536					205								205
9501537	300 x 400	50	45	44	315	63	125	45	412	502	297	238	315
9501538					290								290
9501539					265								265
9501540					240								240



**TYPE BRSHD
BACK PILLAR REVERSED RECTANGULAR
HEAVY DUTY DIE SETS**

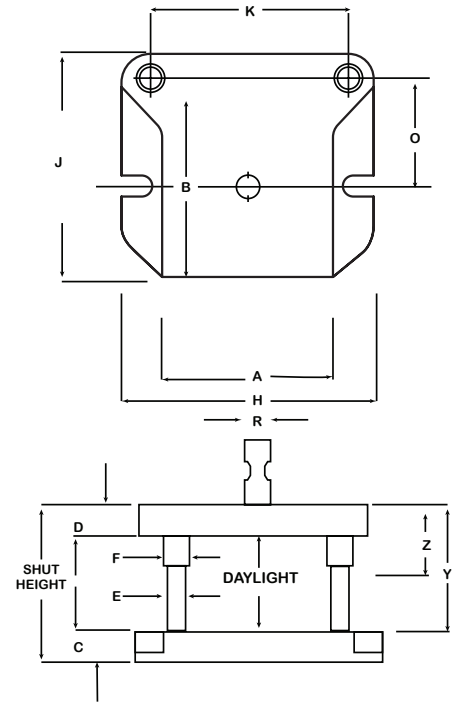
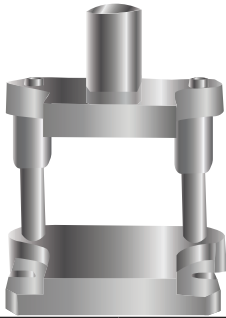


*When ordering please state Type and Code No. and Shut Height.

Code	Die Space	Plate Thickness		Pillar		Bush		Spigot Dia R	Overall Dimensions		Pillar centres K	Dimension	Shut Height
	A X B	Base C	Top D	Dia x E	Lgth Y	Dia x F	Lgth Z		H x J	O			
9501601	75 x 100	35	30	22	180	35	80	40	142	155	70	70	180
9501602					165								165
9501603					150								150
9501604					135								135
9501605	100 x 125	45	40	25	180	38	80	45	168	190	90	90	180
9501606					165								165
9501607					150								150
9501608					135								135
9501609	114 x 150	45	40	25	180	38	80	45	188	216	102	102	180
9501610					165								165
9501611					150								150
9501612					135								135
9501613	125 x 175	50	40	28	250	40	90	45	206	240	122	114	250
9501614					225								225
9501615					200								200
9501616					175								175
9501617	150 x 200	50	40	28	250	40	90	45	236	266	140	126	250
9501618					225								225
9501619					200								200
9501620					175								175
9501621	175 x 225	50	45	32	250	44	100	45	256	302	160	142	250
9501622					225								225
9501623					200								200
9501624					175								175
9501625	200 x 250	50	45	32	250	44	90	45	282	328	184	156	250
9501626					225								225
9501627					200								200
9501628					175								175
9501629	225 x 300	55	50	38	280	50	100	45	328	388	210	184	280
9501630					255								255
9501631					230								230
9501632					205								205
9501633	250 x 350	55	50	41	280	55	100	45	364	438	250	210	280
9501634					255								255
9501635					230								230
9501636					205								205
9501637	300 x 400	75	65	44	315	63	125	50	412	502	297	238	315
9501638					290								290
9501639					265								265
9501640					240								240

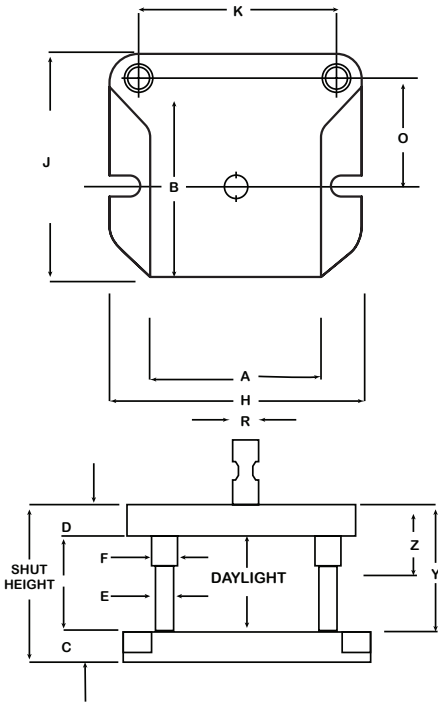


**TYPE SS
BACK PILLAR SQUARE
STANDARD DIE SETS**

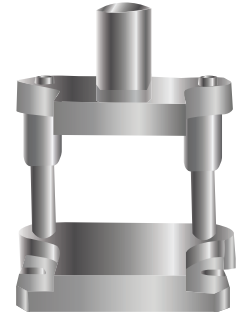


**When ordering please state Type and Code No. and Shut Height.*

Code	Die Space	Plate Thickness		Pillar		Bush		Spigot Dia R	Overall Dimensions		Pillar centres K	Dimension O	Shut Height
	A X B	Base C	Top D	Dia x E	Lgth Y	Dia x F	Lgth Z		H	J			
9501701	75 x 75	25	25	18	160	28	70	40	152	124	90	54	160
9501702					145								145
9501703					130								130
9501704					115								115
9501705	100 x 100	30	25	22	180	35	80	40	190	145	127	65	180
9501706					165								165
9501707					150								150
9501708					135								135
9501709	125 x 125	30	25	25	180	38	80	40	220	184	150	82	180
9501710					165								165
9501711					150								150
9501712					135								135
9501713	150 x 150	35	30	28	250	40	90	40	254	210	178	95	250
9501714					225								225
9501715					200								200
9501716					175								175
9501717	175 x 175	35	30	28	250	40	90	40	280	234	204	108	250
9501718					225								225
9501719					200								200
9501720					175								175
9501721	200 x 200	40	35	32	250	44	100	45	324	266	234	122	250
9501722					225								225
9501723					200								200
9501724					175								175
9501725	225 x 225	40	35	32	250	44	100	45	350	292	260	134	250
9501726					225								225
9501727					200								200
9501728					175								175
9501729	250 x 250	50	40	38	280	50	100	45	394	328	292	150	280
9501730					255								255
9501731					230								230
9501732					205								205
9501733	300 x 300	50	40	41	280	55	100	45	444	378	342	175	280
9501734					255								255
9501735					230								230
9501736					205								205
9501737	375 x 375	50	45	44	315	63	125	45	546	470	426	220	315
9501738					290								290
9501739					265								265
9501740					240								240
9501741	450 x 450	55	50	50	315	70	125	45	628	552	502	260	315
9501742					290								290
9501743					265								265
9501744					240								240



**TYPE BRSHD
BACK PILLAR REVERSED RECTANGULAR
HEAVY DUTY DIE SETS**

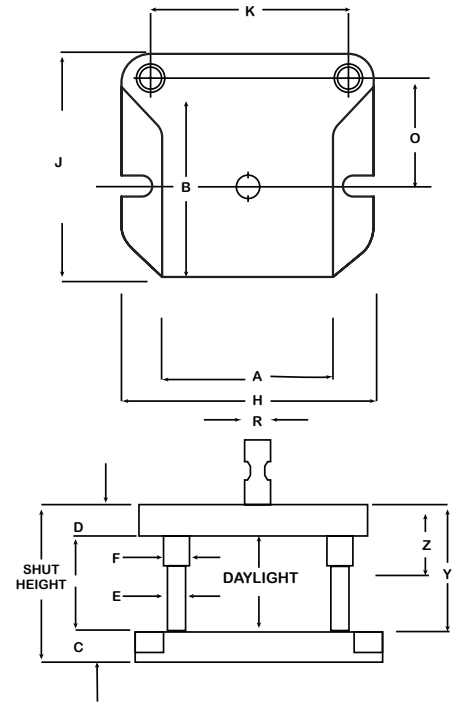
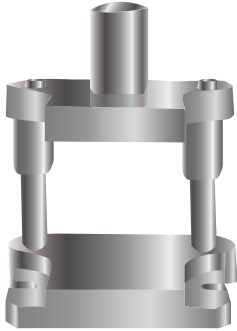


*When ordering please state Type and Code No. and Shut Height.

Code	Die Space	Plate Thickness		Pillar		Bush		Spigot Dia R	Overall Dimensions		Pillar centres K	Dimension	Shut Height
	A X B	Base C	Top D	Dia x E	Lgth Y	Dia x F	Lgth Z		H x J	O			
9501701	75 x 75	25	25	18	160	28	70	40	152	124	90	54	160
9501702					145								145
9501703					130								130
9501704					115								115
9501705	100 x 100	30	25	22	180	35	80	40	190	145	127	65	180
9501706					165								165
9501707					150								150
9501708					135								135
9501709	125 x 125	30	25	25	180	38	80	40	220	184	150	82	180
9501710					165								165
9501711					150								150
9501712					135								135
9501713	150 x 150	35	30	28	250	40	90	40	254	210	178	95	250
9501714					225								225
9501715					200								200
9501716					175								175
9501717	175 x 175	35	30	28	250	40	90	40	280	234	204	108	250
9501718					225								225
9501719					200								200
9501720					175								175
9501721	200 x 200	40	35	32	250	44	100	45	324	266	234	122	250
9501722					225								225
9501723					200								200
9501724					175								175
9501725	225 x 225	40	35	32	250	44	100	45	350	292	260	134	250
9501726					225								225
9501727					200								200
9501728					175								175
9501729	250 x 250	50	40	38	280	50	100	45	394	328	292	150	280
9501730					255								255
9501731					230								230
9501732					205								205
9501733	300 x 300	50	40	41	280	55	100	45	444	378	342	175	280
9501734					255								255
9501735					230								230
9501736					205								205
9501737	375 x 375	50	45	44	315	63	125	45	546	470	426	220	315
9501738					290								290
9501739					265								265
9501740					240								240
9501741	450 x 450	55	50	50	315	70	125	45	628	552	502	260	315
9501742					290								290
9501743					265								265
9501744					240								240

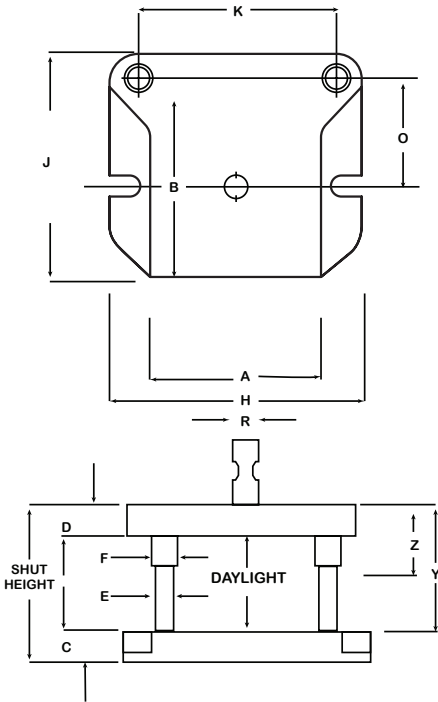


**TYPE DS
DIAGONAL PILLAR SQUARE
STANDARD DIE SETS**

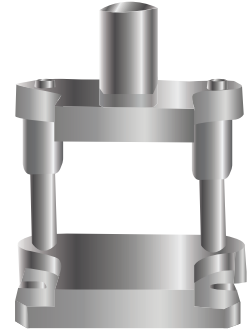


**When ordering please state Type and Code No. and Shut Height.*

Code	Die Space	Plate Thickness		Pillar			Bush			Spigot Dia R	Overall Dimensions		Pillar centres	Dimension	Shut Height
	A X B	Base	Top	Dia x Lgth			Dia x Lgth				H x J	K	O		
		C	D	E	L	Z	F	M	Z						
9501901	75 x 75	25	25	18	22	160	28	35	70	40	130	180	122	61,0	160
9501902						145									145
9501903						130									130
9501904	100 x 100	30	25	18	22	115	28	35	70	40	152	200	142	71,0	115
9501905						160									160
9501906						145									145
9501907	125 x 125	30	25	22	25	130	35	38	80	40	190	240	170	85,0	130
9501908						115									115
9501909						180									180
9501910	150 x 150	35	30	25	28	165	38	40	80	40	232	270	206	103,0	165
9501911						150									150
9501912						135									135
9501913	175 x 175	35	30	25	28	180	38	40	80	40	258	302	254	127,0	180
9501914						165									165
9501915						150									150
9501916	200 x 200	40	35	28	32	135	40	44	90	45	302	330	286	143,0	135
9501917						180									180
9501918						250									250
9501919	225 x 225	40	35	28	32	200	40	44	90	45	328	365	330	165,0	200
9501920						175									175
9501921						225									225
9501922	250 x 250	45	40	32	38	200	44	50	100	45	362	398	356	178,0	200
9501923						175									175
9501924						250									250
9501925	300 x 300	45	40	38	41	225	50	55	100	45	412	472	432	215,0	225
9501926						200									200
9501927						175									175
9501928	375 x 375	50	45	44	50	250	63	70	125	45	488	582	528	264,0	250
9501929						225									225
9501930						200									200
9501931	450 x 450	55	50	44	50	175	63	70	125	45	565	664	630	315,0	175
9501932						280									280
9501933						255									255
9501934	9501935	9501936	9501937	9501938	9501939	230	63	70	125	45	565	664	630	315,0	230
9501935						205									205
9501936						315									315
9501937	9501940	9501941	9501942	9501943	9501944	290	63	70	125	45	565	664	630	315,0	290
9501938						265									265
9501939						240									240
9501940	9501941	9501942	9501943	9501944	240	63	70	125	45	565	664	630	315,0	240	
9501941					315									315	
9501942					290									290	
9501943	9501944	9501945	9501946	9501947	9501948	265	63	70	125	45	565	664	630	315,0	265
9501944						240									240
9501945						265									265
9501946	9501947	9501948	9501949	9501950	9501951	240	63	70	125	45	565	664	630	315,0	240
9501947						290									290
9501948						265									265
9501949	9501950	9501951	9501952	9501953	9501954	240	63	70	125	45	565	664	630	315,0	240
9501950						290									290
9501951						265									265
9501952	9501953	9501954	9501955	9501956	9501957	240	63	70	125	45	565	664	630	315,0	240
9501953						290									290
9501954						265									265
9501955	9501956	9501957	9501958	9501959	9501960	240	63	70	125	45	565	664	630	315,0	240
9501956						290									290
9501957						265									265
9501958	9501959	9501960	9501961	9501962	9501963	240	63	70	125	45	565	664	630	315,0	240
9501959						290									290
9501960						265									265
9501961	9501962	9501963	9501964	9501965	9501966	240	63	70	125	45	565	664	630	315,0	240
9501962						290									290
9501963						265									265
9501964	9501965	9501966	9501967	9501968	9501969	240	63	70	125	45	565	664	630	315,0	240
9501965						290									290
9501966						265									265
9501967	9501968	9501969	9501970	9501971	9501972	240	63	70	125	45	565	664	630	315,0	240
9501968						290									290
9501969						265									265
9501970	9501971	9501972	9501973	9501974	9501975	240	63	70	125	45	565	664	630	315,0	240
9501971						290									290
9501972						265									265
9501973	9501974	9501975	9501976	9501977	9501978	240	63	70	125	45	565	664	630	315,0	240
9501974						290									290
9501975						265									265
9501976	9501977	9501978	9501979	9501980	9501981	240	63	70	125	45	565	664	630	315,0	240
9501977						290									290
9501978						265									265
9501979	9501980	9501981	9501982	9501983	9501984	240	63	70	125	45	565	664	630	315,0	240
9501980						290									290
9501981						265									265
9501982	9501983	9501984	9501985	9501986	9501987	240	63	70	125	45	565	664	630	315,0	240
9501983						290									290
9501984						265									265
9501985	9501986	9501987	9501988	9501989	9501990	240	63	70	125	45	565	664	630	315,0	240
9501986						290									290
9501987						265									265
9501988	9501989	9501990	9501991	9501992	9501993	240	63	70	125	45	565	664	630	315,0	240
9501989						290									290
9501990						265									265
9501991	9501992	9501993	9501994	9501995	9501996	240	63	70	125	45	565	664	630	315,0	240
9501992						290									290
9501993						265									265
9501994	9501995	9501996	9501997	9501998	9501999	240	63	70	125	45	565	664	630	315,0	240
9501995						290									290
9501996						265									265
9501997	9501998	9501999	9502000	9502001	9502002	240	63	70	125	45	565	664	630	315,0	240
9501998						290									290
9501999						265									265
9502000	9502001	9502002	9502003	9502004	9502005	240	63	70	125	45	565	664	630	315,0	240
9502001						290									290
9502002						265									265
9502003	9502004	9502005	9502006	9502007	9502008	240	63	70	125	45	565	664	630	315,0	240
9502004						290									290
9502005						265									265
9502006	9502007	9502008	9502009	9502010	9502011	240	63	70	125	45	565	664	630	315,0	240
9502007						290									290
9502008						265									265
9502009	9502010	9502011	9502012	9502013	9502014	240	63	70	125	45	565	664	630	315,0	240
9502010						290									290
9502011						265									265
9502012	9502013	9502014	9502015	9502016	9502017	240	63	70	125	45	565	664	630	315,0	240
9502013						290									290
9502014						265									265
9502015	9502016	9502017	9502018	9502019	9502020	240	63	70	125	45	565	664	630	315,0	240
9502016						290									290
9502017						265									265
9502018	9502019	9502020	9502021	9502022	9502023	240	63	70	125	45	565	664	630	315,0	240
9502019						290									290
9502020						265									265
9502021	9502022	9502023	9502024	9502025	9502026	240	63	70	125	45	565	664	630	315,0	240
9502022						290									290
9502023						265									265
9502024	9502025	9502026	9502027	9502028	9502029	240	63	70	125	45	565	664	630	315,0	240
9502025						290									290
9502026						265									265
9502027	9502028	9502029	9502030	9502031	9502032	240	63	70	125	45	565	664	630	315,0	240
9502028						290									290
9502029						265									265
9502030	9502031	9502032	9502033	9502034	9502035	240	63	70	125	45	565	664	630	315,0	240
9502031						290									290
9502032						265									265
9502033	9502034	9502035	9502036	9502037	9502038	240	63	70	125	45	565	664	630	315,0	240
9502034						290									290
9502035						265									265
9502036	9502037	9502038	9502039	9502040	9502041	240	63	70	125	45	565	664	630	315,0	240
9502037						290									290
9502038						265									26



**TYPE DSHD
DIAGONAL PILLAR SQUARE
HEAVY DUTY DIE SETS**

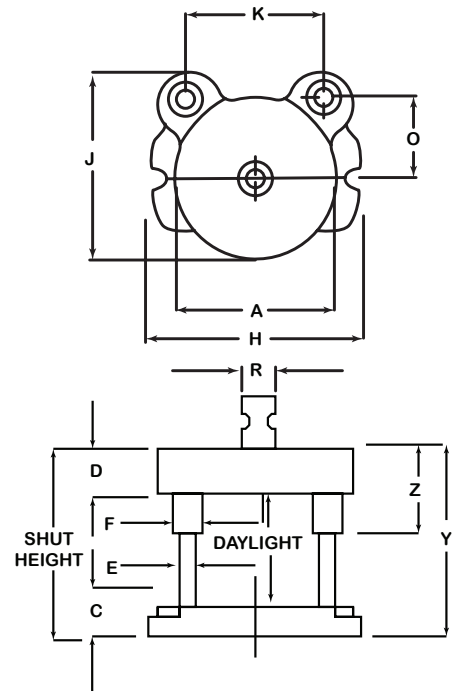
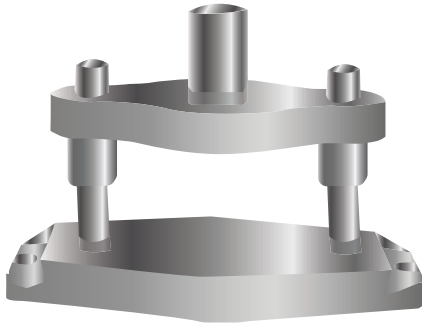


*When ordering please state Type and Code No. and Shut Height.

Code	Die Space	Plate Thickness		Pillar			Bush			Spigot Dia R	Overall Dimensions		Pillar centres	Dimension	Shut Height
	A X B	Base	Top	Dia x Lgth			Dia x Lgth				H x J	K	O		
		C	D	E	L	Z	F	M	Z						
9502001	75 x 75	30	30	18	22	160	28	35	70	40	130	180	122	61,0	160
9502002						145									145
9502003						130									130
9502004						115									115
9502005	100 x 100	35	30	18	22	160	28	35	70	40	152	200	142	71,0	160
9502006						145									145
9502007						130									130
9502008						115									115
9502009	125 x 125	35	30	22	25	180	35	38	80	40	190	240	170	85,0	180
9502010						165									165
9502011						150									150
9502012						135									135
9502013	150 x 150	45	40	25	28	180	38	40	80	45	232	270	206	103,0	180
9502014						165									165
9502015						150									150
9502016						135									135
9502017	175 x 175	45	40	25	28	180	38	40	80	45	258	302	254	127,0	180
9502018						165									165
9502019						150									150
9502020						135									135
9502021	200 x 200	50	45	28	32	250	40	44	90	45	302	330	286	143,0	250
9502022						225									225
9502023						200									200
9502024						175									175
9502025	225 x 225	50	45	28	32	250	40	44	90	45	328	365	330	165,0	250
9502026						225									225
9502027						200									200
9502028						175									175
9502029	250 x 250	55	50	32	38	250	44	50	100	45	362	398	356	178,0	250
9502030						225									225
9502031						200									200
9502032						175									175
9502033	300 x 300	55	50	38	41	280	50	55	100	45	412	472	432	216,0	280
9502034						255									255
9502035						230									230
9502036						205									205
9502037	375 x 375	75	65	44	50	315	63	70	125	50	488	582	528	264,0	315
9502038						290									290
9502039						265									265
9502040						240									240
9502041	450 x 450	75	65	44	50	315	63	70	125	50	565	664	630	315,0	315
9502042						290									290
9502043						265									265
9502044						240									240

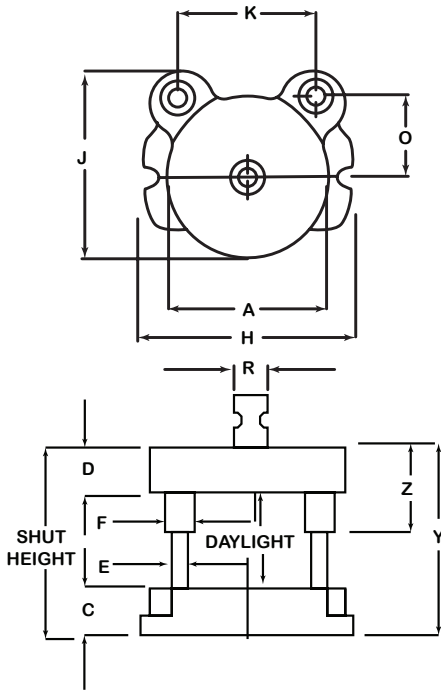


**TYPE RO
BACK PILLAR ROUND
STANDARD DIE SETS**

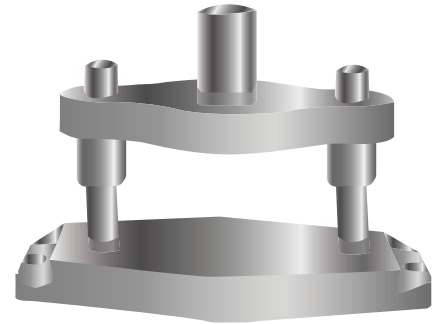


**When ordering please state Type and Code No. and Shut Height.*

Code	Die Space	Plate Thickness		Pillar		Bush		Spigot Dia R	Overall Dimensions		Pillar centres K	Dimension	Shut Height
	A	Base C	Top D	Dia x E	Lgth Y	Dia x F	Lgth Z		H	J		O	
9502101	75	30	25	18	160	28	70	40	142	110	76	42	160
9502102					145								145
9502103					130								130
9502104	114	30	25	22	115	35	80	40	180	150	114	58	115
9502105					180								180
9502106					165								165
9502107					150								150
9502108	150	35	30	25	135	38	80	40	232	190	152	76	135
9502109					180								180
9502110					165								165
9502111					150								150
9502112					135								135
9502113	190	35	30	28	250	40	90	40	270	228	178	96	250
9502114					225								225
9502115					200								200
9502116					175								175
9502117	225	40	35	32	250	44	100	45	328	272	216	114	250
9502118					225								225
9502119					200								200
9502120					175								175
9502121	270	50	40	38	280	50	100	45	375	318	242	134	280
9502122					255								255
9502123					230								230
9502124					205								205
9502125	300	50	40	41	280	55	100	45	412	356	268	152	280
9502126					255								255
9502127					230								230
9502128					205								205



**TYPE ROHD
BACK PILLAR ROUND
HEAVY DUTY DIE SETS**

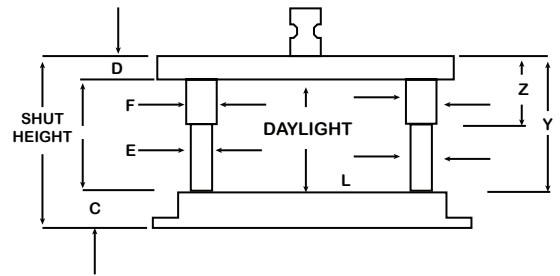
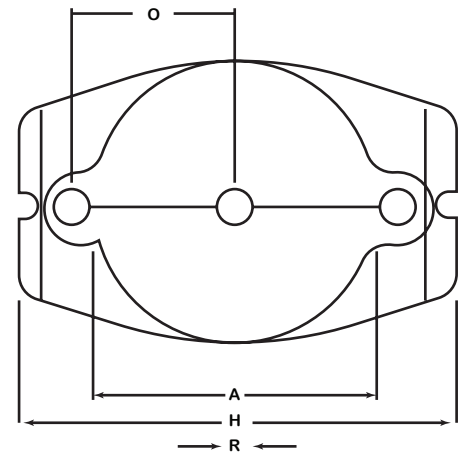
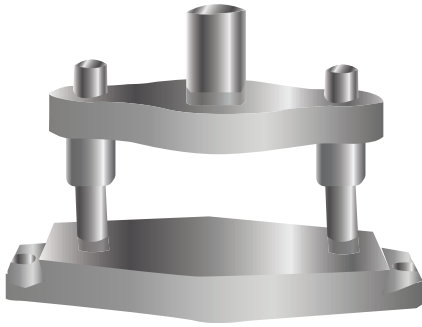


*When ordering please state Type and Code No. and Shut Height.

Code	Die Space	Plate Thickness		Pillar		Bush		Spigot Dia R	Overall Dimensions		Pillar centres K	Dimension	Shut Height
	A	Base C	Top D	Dia x E	Lgth Y	Dia x F	Lgth Z		H	J		O	
9502201	75	35	30	18	160	28	70	40	142	110	76	42	160
9502202					145								145
9502203					130								130
9502204					115								115
9502205	114	35	30	22	180	35	80	40	180	150	114	58	180
9502206					165								165
9502207					150								150
9502208					135								135
9502209	150	45	40	25	180	38	a)	45	232	190	-152	76	180
9502210					165								165
9502211					150								150
9502212					135								135
9502213	190	50	40	28	250	40	90	45	270	228	178	96	250
9502214					225								225
9502215					200								200
9502216					175								175
9502217	225	50	45	32	250	44	100	45	328	272	216	114	250
9502218					225								225
9502219					200								200
9502220					175								175
9502221	270	55	50	38	280	50	100	45	375	318	242	134	280
9502222					255								255
9502223					230								230
9502224					205								205
9502225	300	55	50	41	280	55	100	45	412	356	268	152	280
9502226					255								255
9502227					230								230
9502228					205								205

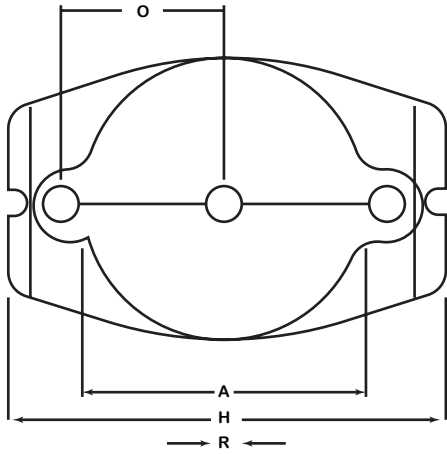


**TYPE CPRO
CENTRE PILLAR ROUND
STANDARD DIE SETS**

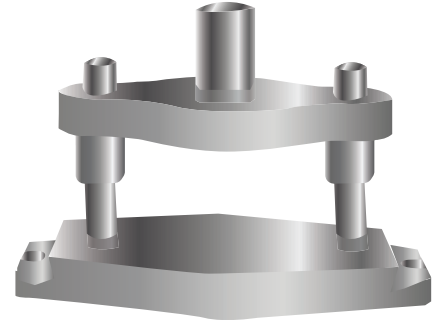
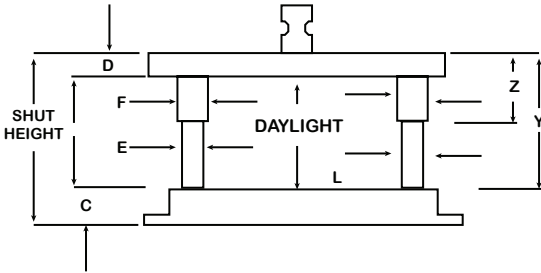


**When ordering please state Type and Code No. and Shut Height.*

Code	Die Space A	Plate Thickness		Pillar			Bush			Spigot Dia R	Overall Dimensions H	Pillar centres K	Dimension O	Shut Height
		Base C	Top D	Dia x Lgth E L Z			Dia x Lgth F M Z							
9502301	50	35	30	25	28	180	38	40	80	40	320	204	102,0	180
9502302						165								165
9502303						150								150
9502304						135								135
9502305						250								250
9502306	190	35	30	28	32	225	40	44	90	40	365	242	121,0	225
9502307						200								200
9502308						175								175
9502309						250								250
9502310						225								225
9502311	270	40	35	38	41	200	50	55	100	45	480	330	165,0	200
9502312						280								280
9502313						255								255
9502314						230								230
9502315						205								205
9502316	300	50	40	38	41	280	50	55	100	45	536	370	185,0	280
9502317						255								255
9502318						230								230
9502319						205								205
9502320						315								315
9502321	375	50	45	44	50	290	63	70	125	45	672	458	229,0	315
9502322						265								265
9502323						240								240
9502324						315								315
9502325						290								290
9502326	450	55	50	44	50	265	83	70	125	45	760	540	270,0	290
9502327						240								240
9502328						315								315
9502329						290								290
9502330						265								265
9502331	525	55	50	44	50	240	63	70	125	45	836	616	308,0	240
9502332						290								290
9502333						265								265
9502334						315								315
9502335						290								290
9502336	600	55	50	44	50	240	63	70	125	45	914	694	347,0	265
9502337						265								265
9502338						240								240
9502339						315								315
9502340						290								290



**TYPE CPROHD
CENTRE PILLAR ROUND
HEA VY DUTY DIE SETS**

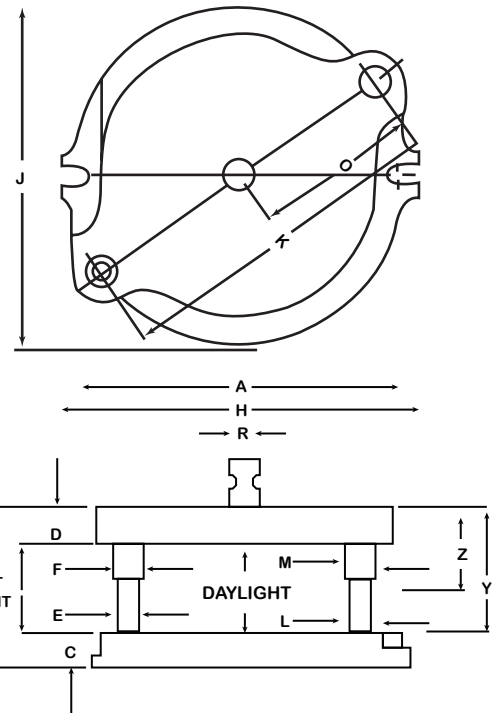
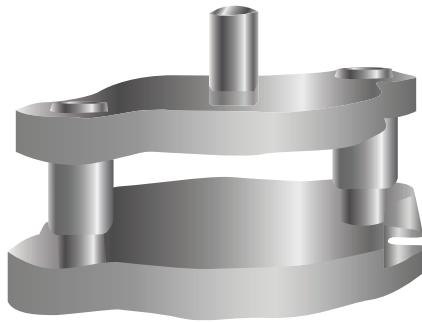


*When ordering please state Type and Code No. and Shut Height.

Code	Die Space A	Plate Thickness		Pillar			Bush			Spigot Dia R	Overall Dimensions H	Pillar centres K	Dimension O	Shut Height
		Base C	Top D	Dia x Lgth			Dia x Lgth							
				E	L	Z	F	M	Z					
9502401	150	45	40	25	28	180	38	40	80	45	320	204	102,0	180
9502402						165								165
9502403						150								150
9502404						135								135
9502405	190	50	40	28	32	250	40	44	90	45	365	242	121,0	250
9502406						225								225
9502407						200								200
9502408						175								175
9502409	225	50	45	32	38	250	44	50	100	45	428	286	143,0	250
9502410						225								225
9502411						200								200
9502412						175								175
9502413	270	50	45	38	41	280	50	55	100	45	480	330	165,0	280
9502414						255								255
9502415						230								230
9502416						205								205
9502417	300	65	50	38	41	280	50	55	100	45	536	370	185,0	280
9502418						255								255
9502419						230								230
9502420						205								205
9502421	375	70	65	44	50	315	63	70	125	50	672	458	229,0	315
9502422						290								290
9502423						265								265
9502424						240								240
9502425	450	75	70	44	50	315	63	70	125	65	760	540	270,0	315
9502426						290								290
9502427						265								265
9502428						240								240
9502429	525	75	70	44	50	315	63	70	125	65	836	616	308,0	315
9502430						290								290
9502431						265								265
9502432						240								240
9502433	600	80	70	44	50	315	63	70	125	65	914	694	347,0	315
9502434						290								290
9502435						265								265
9502436						240								240

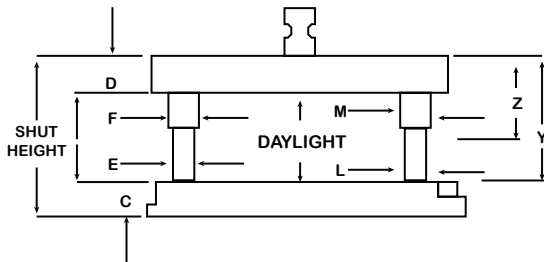
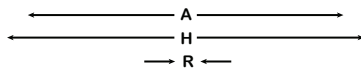
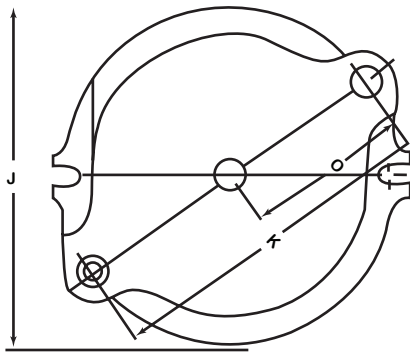


**TYPE DPRO
DIAGONAL PILLAR ROUND
STANDARD DIE SETS**

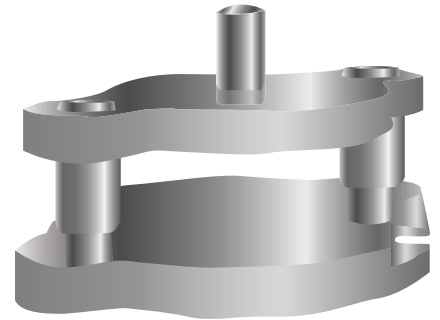


**When ordering please state Type and Code No. and Shut Height.*

Code	Die Space	Plate Thickness		Pillar			Bush			Spigot Dia R	Overall Dimensions		Pillar centres	Dimension	Shut Height
	A	Base	Top	Dia x Lgth			Dia x Lgth				H x J	K	O		
		C	D	E	L	Z	F	M	Z						
9502501	150	35	30	25	28	180	38	40	80	40	218	216	204	102,0	180
9502502						165									165
9502503						150									150
9502504						135									135
9502505						250									250
9502506						225									225
9502507	190	35	30	28	32	200	40	44	90	40	256	248	242	121,0	200
9502508						175									175
9502509						250									250
9502510						225									225
9502511						206									206
9502512						175									175
9502513	270	40	35	38	41	260	50	55	100	45	346	336	330	165,0	280
9502514						255									255
9502515						230									230
9502516						205									205
9502517						280									280
9502518						255									255
9502519	300	50	40	38	41	230	50	55	100	45	402	380	368	184,0	230
9502520						205									205
9502521						315									315
9502522						290									290
9502523						265									265
9502524						240									240
9502525	450	55	50	44	50	315	63	70	125	45	565	532	540	270,0	315
9502526						290									290
9502527						265									265
9502528						240									240
9502529						315									315
9502530						290									290
9502531	525	55	50	44	50	265	63	70	125	45	640	610	616	308,0	265
9502532						240									240
9502533						315									315
9502534						290									290
9502535						265									265
9502536						240									240

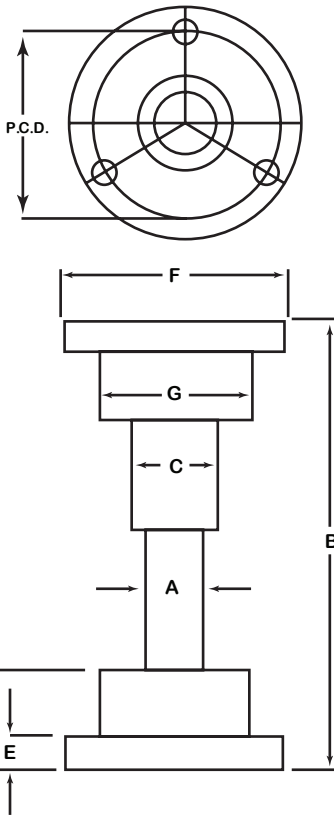


**TYPE DPROHD
DIAGONAL PILLAR ROUND
HEAVY DUTY DIE SETS**



*When ordering please state Type and Code No. and Shut Height.

Code	Die Space	Plate Thickness		Pillar			Bush			Spigot Dia	Overall Dimensions	Pillar centres	Dimension	Shut Height
	A	Base	Top	Dia x Lgth			Dia x Lgth							
		C	D	E	L	Z	F	M	Z	R	H x J	K	O	
9502601	150	45	40	25	28	180	38	40	80	45	218	216	204	180
9502602						165								165
9502603						150								150
9502604						135								135
9502605						250								250
9502606						225								225
9502607	200	200												
9502608	225	50	45	32	38	175	44	50	100	45	308	296	286	175
9502609						250								250
9502610						225								225
9502611						200								200
9502612						175								175
9502613						280								280
9502614	255	255												
9502615	230	230												
9502616	300	65	50	38	41	205	50	55	100	45	402	380	368	205
9502617						280								280
9502618						255								255
9502619						230								230
9502620						205								205
9502621						315								315
9502622	290	290												
9502623	265	265												
9502624	450	70	65	44	50	240	63	70	125	50	488	456	458	240
9502625						315								315
9502626						290								290
9502627						265								265
9502628						240								240
9502629						315								315
9502630	290	290												
9502631	525	75	70	44	50	265	63	70	125	65	640	610	616	265
9502632						240								240
9502633						315								315
9502634						290								290
9502635						265								265
9502636						240								240
	600	75	70	44	50	240	63	70	125	65	718	686	692	240
						315								315
	600	75	70	44	50	290	63	70	125	65	718	686	692	290
						265								265
						240								240
						240								240
	600	80	70	44	50	240	63	70	125	65	718	686	692	240
						315								315

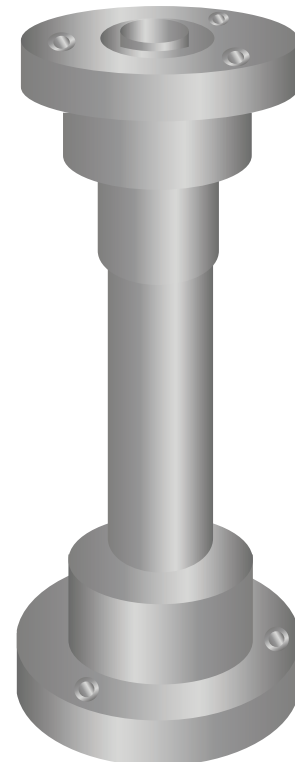


PLAIN PILLAR AND BUSH SETS

Tolerances: Pillars Outside Diameter +.000 mm
 -.005mm
 Bush Inside Diameter +.010mm
 -.000mm
 Bush Outside Diameter +.000mm
 -.005mm

All sizes

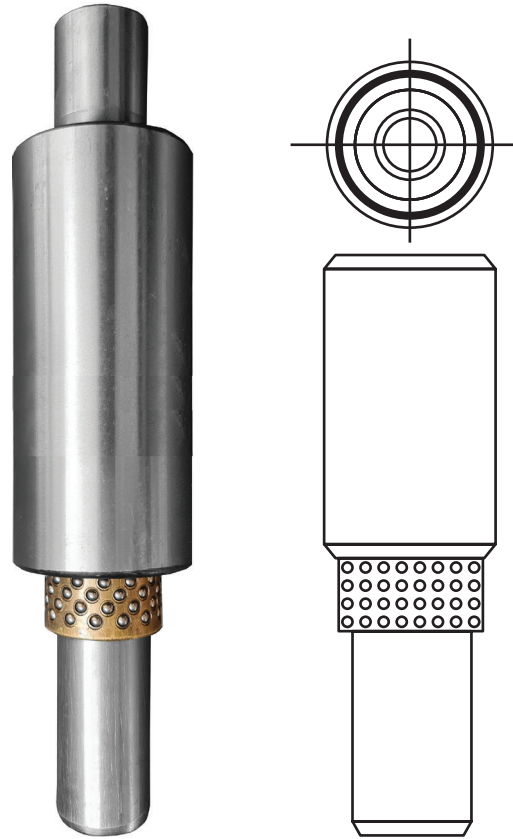
Code	Pillars		Bush	D	E	F	FCD	G
	O/D A	Std. L B	O/D C					
9611816	18	160	28	32	12	90	74	48
9611814		145						
9611813		130						
9611811		115						
9612218	22	180	35	35	12	90	75	48
9612216		165						
9612215		150						
9612213		135						
9612518	25	180	38	40	16	100	85	58
9612516		165						
9612515		150						
9612513		135						
9612825	28	250	40	45	16	100	85	58
9612822		225						
9612820		200						
9612817		175						
9613225	32	250	44	50	16	115	95	72
9613222		225						
9613220		200						
9613217		175						
9613828	38	280	50	55	18	125	103	80
9613826		265						
9613824		240						
9613821		215						
9614128	41	280	55	60	18	130	108	85
9614126		265						
9614124		240						
9614121		215						
9614431	44	315	63	65	20	140	118	90
9614429		290						
9614426		265						
9614424		240						
9615031	50	315	70	70	20	155	128	105
9615029		290						
9615026		265						
9615024		240						
9616335	63	350	82	75	20	180	146	115
9616330		300						
9616325		250						



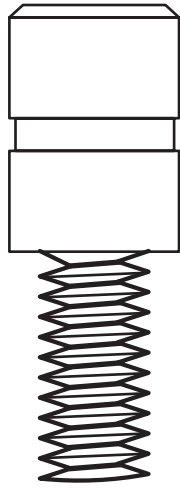


BALL BEARING PILLAR AND BUSH SETS

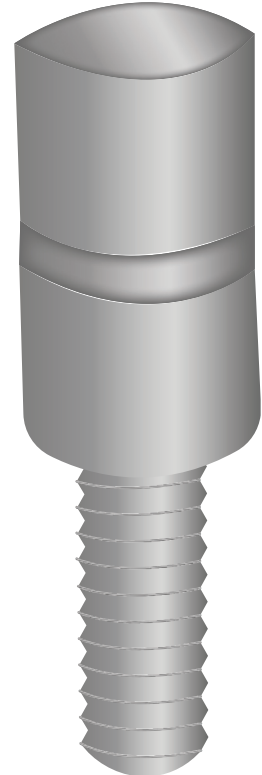
N.B. Bushes are precision honed to ensure light preloading of the balls.



<i>PIN DIA</i>	<i>BUSH OD</i>	<i>BUSH ID</i>	<i>BUSH LENGTH</i>
20mm x 250	38mm	26mm	80mm
24mm x 250	44mm	30mm	100mm
25mm x 250	44mm	31mm	100mm
30mm x 300	52mm	38mm	100mm
32mm x 300	52mm	40mm	100mm
38mm x 300	59mm	46mm	100mm
40mm x 300	63mm	48mm	100mm
50mm x 315	73mm	58mm	100mm



DIE SET SPIGOTS



Code	Thread		L	L1
	M	D		
9632030	M20 x 2,5	40	50	30
9632035	M20 x 2,5	40	70	35
9632040	M20 x 2,5	50	70	35
9632438	M24 x 3,0	45	50	38
9632455	M24 x 3,0	45	70	55
9633052	M30 x 3,5	50	65	55
9633070	M30 x 3,5	50	80	70
9633060	M30 x 3,5	65	65	60
9633080	M30 x 3,5	65	90	80



Technical Information

WHY DIE SETS ARE NECESSARY

In press work, production operations on a modern stamping press would be almost impossible without the use of a die set.

One of the basic functions of a die set is to serve as a tool holder on press work. It enables the toolmaker to pre-set his press work tools in the die set ready for slipping into the press, thus wasting no precious time at all. By using a die set for each set of tools, rapid change-overs can be made from one job to another.

Another basic function of a die set is to protect the alignment of punch and die. Even in a new press the free-play in the ram slideways is such that only very crude punch and die set ups can be used without the built-in accuracy provided for by a die set. In fact, the die set not only protects the alignment of punch and die, but it also reduces wear on the slideways of the press itself.

Sustained precision press work such as fine blanking and many precision operations in the electrical industry would be impossible without the use of the no-clearance feature of modern pre-loaded ball bearing die sets.

MITCO OFFERS THREE TYPES OF DIE SETS

Standard Die Sets

The wide range of die sets listed in this catalogue, divides first of all into two groups, namely standard and heavy duty. Most die set applications require no more than a standard plain bearing die set. These sets are economically priced and the thickness of the base plate and the top plate is quite adequate for general purpose applications.

Heavy Duty Die Sets

Heavy duty die sets differ from standard die sets only with respect to base and top plate thickness. These sets cost a little extra and as the name implies, are recommended for those heavy duty press jobs where the extra plate thickness is really necessary. In addition, some jobs require the extra plate thickness as a result of tool space requirements.

Pre-loaded Ball Bearing Die Sets

Whilst most die set applications can be met with plain bearing sets, there are some applications dictating the use of pre-loaded ball bearing sets. Such applications include the following —

— Extremely high press speeds such as employed in the electrical industry or in the case of components manufactured in a dieing press stroking at perhaps 600 strokes per minute.

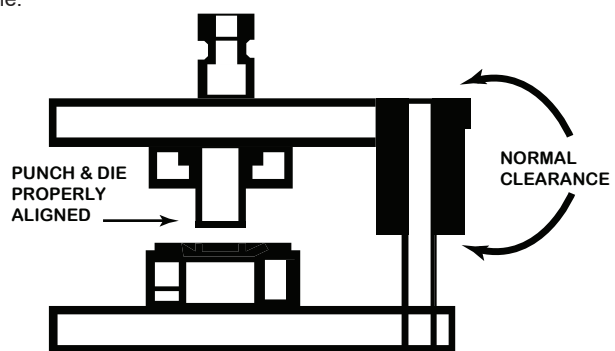
— Where sustained precision alignment of tooling is required, for instance in pressing thin material such as tin plate and aluminium foil.

— For pressing operations such as shaving, fine blanking or semiextrusion blanking operations where there is little or no clearance at all between punch and die.

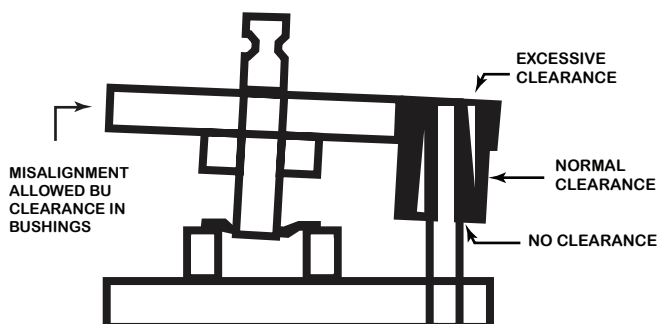
MORE INFORMATION ABOUT PLAIN VERSUS BALL BEARING DIE SETS

It is not generally appreciated that no matter how well a plain bearing die set is manufactured, there must be some clearance between the pin and the bush, otherwise the die set will seize in operation for no apparent reason at all.

Normal clearance in a plain bearing set will allow some mis-alignment between punch and die, as shown in extravagant fashion in the sketches below.



PLAIN BEARING DIE SET AT REST



PLAIN BEARING DIE SET WORKING

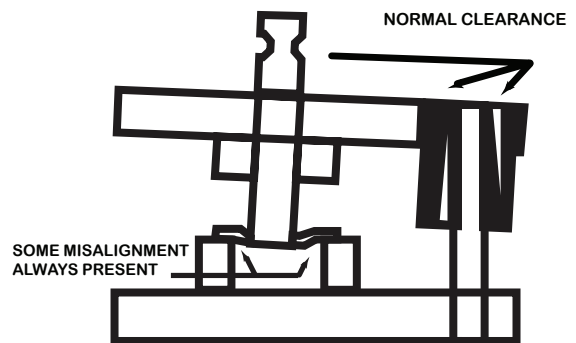


It will also be appreciated that as normal wear takes place, the clearance between pin and bush in a plain bearing die set increases and thus also increase the possibility of unsatisfactory misalignment between die and punch.

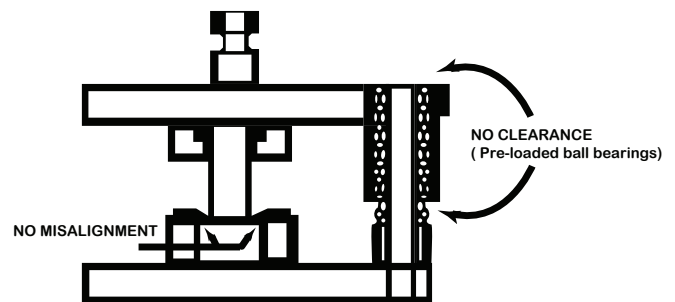
MITCO's pre-loaded ball bearing die sets not only have no clearance between pin and bush, but are also capable of maintaining this accuracy for long periods of operation. The sketches (right) show how the pre-loading of a ball bearing die set ensures accurate alignment long after a plain bearing set has lost its accuracy.

The pre-loading of MITCO's ball bearing sets is such that after many millions of strokes a measurable pre-load still exists.

The benefits of ball bearing sets range from reduced time consumed at the bench in fitting, mounting and alignment, to longer runs in the press and fewer rejects as a result of the higher accuracy in alignment between punch and die. Numerous users presently employing plain bearing sets should carefully consider the cost savings offered by MITCO's ball bearing sets.



PLAIN BEARING DIE SET WORKING



BALL BEARING DIE SET WORKING

MORE INFORMATION ABOUT MITCO'S PLAIN BEARING DIE SETS

All die sets and accessories listed in this catalogue are manufactured from selected material and to precision tolerances. For instance, pins and bushes for both plain and ball bearing sets are made from a special grade of EN43. This material lends itself to case hardening by way of induction hardening. Induction case hardening is a technique which Mitco Spares has now employed over a period of 15 years in the manufacture of precision pins and bushes for crawler tractor track chains and other rolling stock applications.

The top and base plates are flame cut from prime quality Iscor mild steel plate and subsequently surface ground to a high degree of surface finish. Mitco Spares operates a battery of precision jig bores for boring out the pin and bush holes in the plates. Precision jig boring is necessary for the small clearances between bush inner diameters and pin diameters, otherwise binding will take place at the slightest provocation because of mis-alignment between the assembled pins and bushes.

By purchasing an existing manufacturer of die sets, MITCO TOOL COMPANY also purchased many years of experience in die set manufacture and the know-how thus acquired, has now been combined with the expertise of MITCO SPARES in the manufacture of precision case hardened pins and bushes to establish the new die set division of Mitco Spares and this combination is the guarantee of quality in MITCO's new range of die sets and accessories listed in this catalogue.

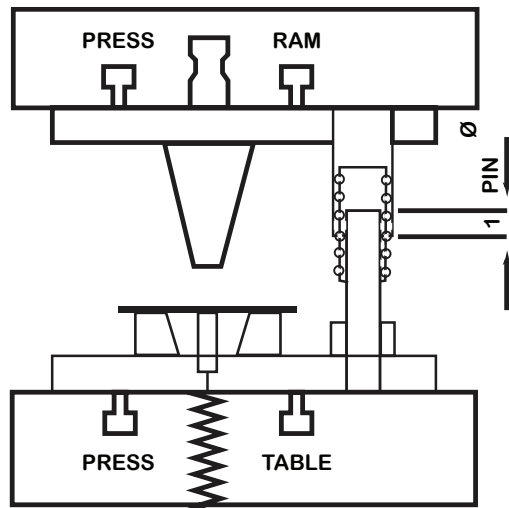


Two important special precautions must be observed when using ball bearing die sets.

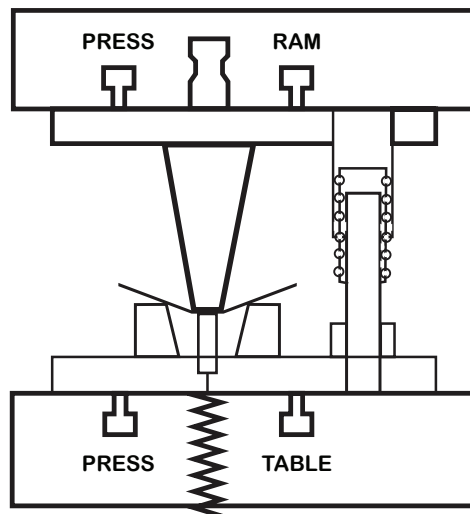
Even though all ball bearing die sets are pre-loaded, the balls and cage between the pins and bushes will gradually creep downward in a vertical press and in order to prevent the cage creeping out of position, a stop should be installed on the pin. This stop takes the form of a length of metal tubing resting on the bottom plate, as shown in sketch (c) alongside. The length of this stop should be such that the cage only just clears the stop at the bottom of the first stroke. Further creep will be arrested when the cage eventually starts touching the stop at the bottom of each stroke.

The second very important precaution when using ball bearing die sets, has to do with the position of the cage at the top of the stroke. In the case of plain bearing die sets it is permissible, but not advisable, for the pin to leave the bush. If however, the pin should leave the bush of a ball bearing die set, then the cage and the balls will immediately drop to the bottom of the pin with disastrous results. Ball bearing die sets should therefore be employed in such a way that at least one diameter of pin length will still be inside the bush at the top of the stroke as shown in sketch (a) alongside.

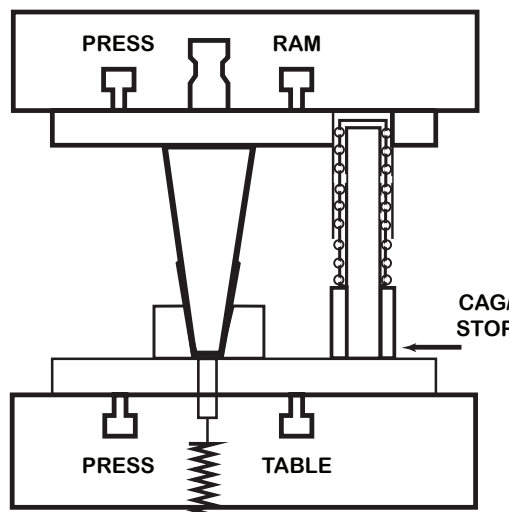
These precautions also apply to die sets made up from MITCO flanged ball bearing pin and bush sets.



(a) TOP OF STROKE



(b) MID-POSITION



(c) BOTTOM OF STROKE

ACCESSORIES

For the convenience of those customers who wish to use precision plain bearing as well as ball bearing pin and bush sets, these are listed separately. Attention is also drawn to the flanged plain bearing pin and bush sets primarily intended for the construction of short run special purpose die sets by customers.

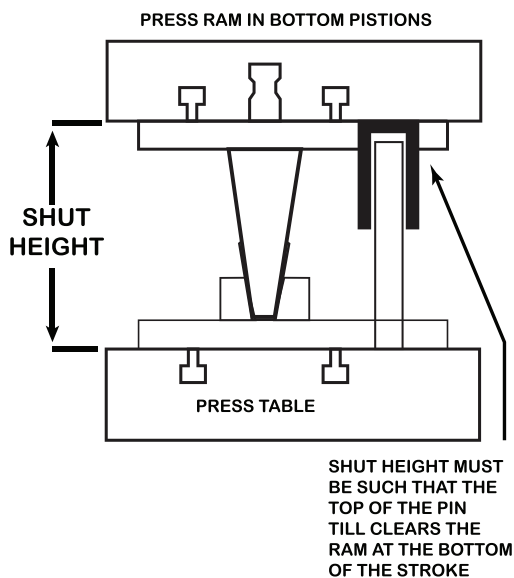
HOW TO ORDER

1. Select, first of all the type of die set required, that is square, long, rectangular, or round, etc., and then decide on the die space required.
2. Consider whether the job demands a ball bearing or a plain bearing set. In this connection read the paragraph "Pre loaded ball bearing die sets" on page 34.
3. Decide whether a standard die set will be acceptable or whether the heavier base and top plates of a heavy duty set of the same type and size, either plain or ball bearing is required. Non-standard top and base plates can also be supplied (see paragraph "Die sets made to customers' own design) on page 37).
4. Determine the shut height required for the job (see page 37). If the standard range of shut heights available as stock does not suit your requirements, a special die set incorporating the correct shut height required can be made up for you.
5. Once the above considerations have been taken into account, clearly state in your order the type, the code number and the shut height of the set required, as listed for each set in this catalogue.



HOW TO DETERMINE SHUT HEIGHT

The shut height of a die set simply means the height from the bottom of the base plate to the top of the top plate with the tooling in the closed position (bottom of stroke). Total pin length should be so arranged that the tops of the pins will never protrude above the bushings with the die set and the tooling in the closed position at the bottom of the stroke, otherwise the pins will hit the press ram.



The standard die sets listed in this catalogue are so designed that the total length of the pins will always be somewhat shorter than the shut height listed for each set.

DIE SETS MADE TO CUSTOMERS' OWN DESIGN.

If it is altogether impossible for you to satisfy the needs of your job with a standard die set, then MITCO will make one specially for you.

Unless a complete and detailed drawing is available, fully specifying the set required, the following information is generally needed before we can proceed with the manufacture of a special die set.

- Type of die set (i.e. rear pillar rectangular, four pillar, etc.)
- Die space
- Thickness of top plate
- Thickness of bottom plate
- Shut height
- Plain bearing or ball bearing
- Pin and bush specifications should be drawn from the pin and bush listing in this catalogue, otherwise we cannot offer quick delivery.

Remember. MITCO's Technical Representatives will only be too pleased to assist you and a phone call is all that is required to bring you this service.



MITCO

voestalpine
ONE STEP AHEAD.

voestalpine
ONE STEP AHEAD.