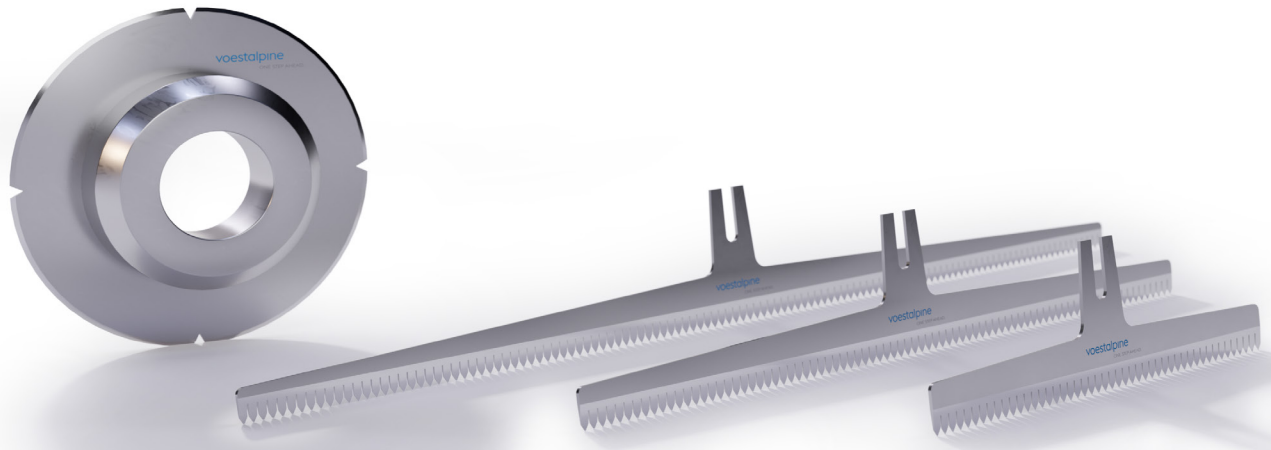


Engineered Products



FOOD PROCESSING

voestalpine FILM CUTTING KNIVES designed for pure performance

Film cutting knives are an industry standard for processing food, offering high efficiency and great wear resistance

YOUR ADDED VALUE

Our film cutting knives are created from **premium materials by BÖHLER/Uddeholm**. The ready-to-use products are manufactured with a tailored heat treatment and optimized machining to meet our customer's high quality standards.

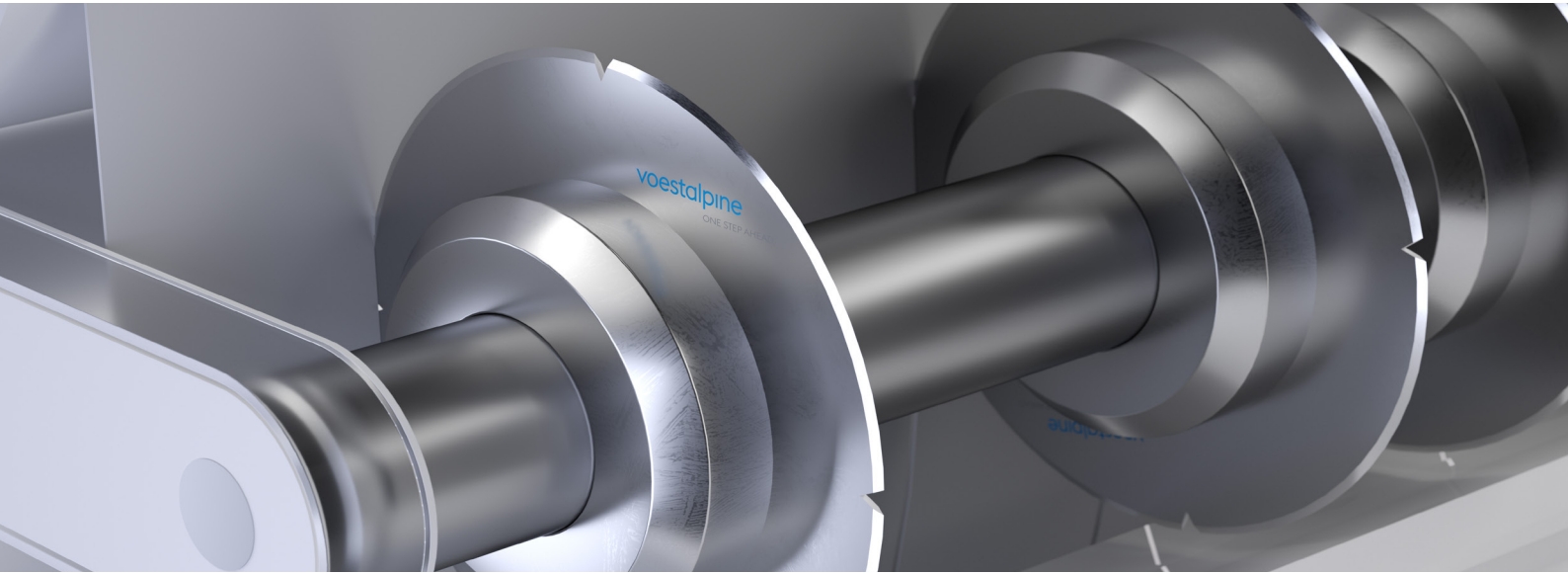
Our film cutting knives offer customers improved productivity, a longer lifetime compared to industry standards, increased efficiency, and a significantly reduced total cost of ownership. With our ready-to-use solution, we can optimise the cut performance and increase the machine utilization rate, leading to a higher productivity for the machine operator.

We have circular and horizontal knives available for all industrial machine types and major producers of film knife cutting machinery like Meyn, Stork, and more.

INDUSTRIAL PERFORMANCE COMPARISON

- » **Significantly reduced regrinding effort**
- » **Heavily reduced meat contamination**
- » **Significantly increased operational efficiency**
- » **Cleaner cut**

| Properties | Horizontal Knife | Circular Knife |
|----------------------|------------------|----------------|
| Hardness | 57-60 HRC | 50-53 HRC |
| Corrosion Resistance | N/A | ★★★ |
| Wear Resistance | ★★★★★ | ★★★ |
| Ductility | ★★★ | ★★★ |



OUR MATERIALS

Horizontal Knife

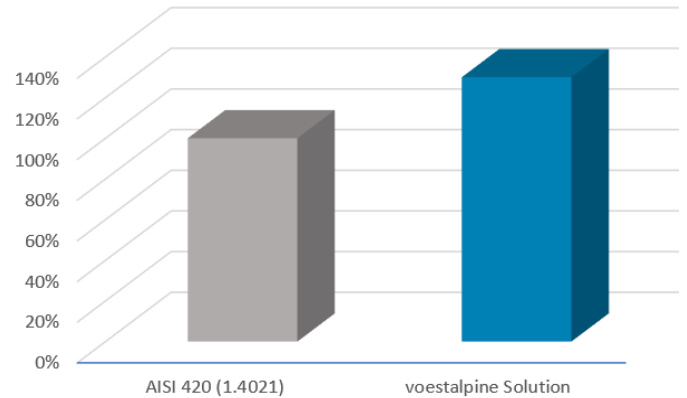
| C | Cr | Mo | V | W |
|------|------|------|------|------|
| 0.90 | 4.10 | 5.00 | 1.80 | 6.20 |

Circular Knife

| C | Si | Mn | Cr | Mo |
|------|------|------|-------|------|
| 1.05 | 0.40 | 0.40 | 16.70 | 0.50 |

INDUSTRIAL PERFORMANCE COMPARISON

Life Time Improvement



© 2024 voestalpine High Performance Metals GmbH. All Rights Reserved. You must obtain prior written permission from voestalpine High Performance Metals GmbH for the reproduction, re-publication, redistribution, transmission, sale, modification, or adaptation of any content hereof. This publication is correct to the best of our knowledge and belief at the time of writing, but it is for general information purposes only and does not provide professional advice of any kind. This publication is provided "as is" without warranty of any kind. voestalpine High Performance Metals GmbH shall not be liable for any loss, damage or cost resulting from any inaccuracies, omissions, errors or from any decisions taken in reliance on this publication. This does not limit liability that cannot be limited under law.

voestalpine High Performance Metals GmbH

Donau-City-Straße 7

1220 Vienna, Austria

T. +43/50304 10 - 0

office.edelstahl@voestalpine.com

www.voestalpine.com

January_2024_EN

voestalpine

ONE STEP AHEAD.